

# INON

## INON Tripod Adapter for D Holder

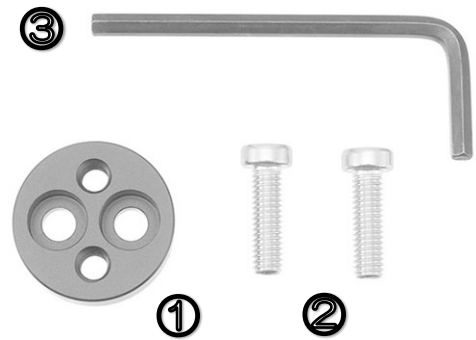
Thank you for purchasing INON product.

The INON Tripod Adapter for D Holder is attached on the bottom of the INON 「D Holder」 to install the 「D Holder」 on an underwater tripod system through tripod screw holes (U1/4) on it. This adapter is an optional part to attach a digital camera housing with 「Grip Base D4」 or an action camera with 「D Holder」 standalone on a tripod. Two tripod screw holes on this adapter further enables to use “Panhead Adapter Base” (bundled accessory for 「UW 3-Way Panhead」) to attach a camera system securely on a tripod without rattling.

- Package contents:**
- Tripod Adapter for D Holder ①
  - M6x20 Low Head Cap Screw (2pcs) ②
  - Allen Wrench (WAF:4mm) ③
  - This user manual

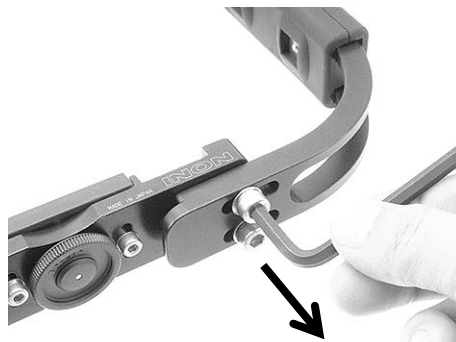
- Compatible product:**
- INON 「D Holder」

- Compatible tripod product :**
- INON 「UW Tripod Hub」
  - INON 「UW 3-Way Panhead」
  - Other pan-head or tripod equipped with tripod screw (U1/4).

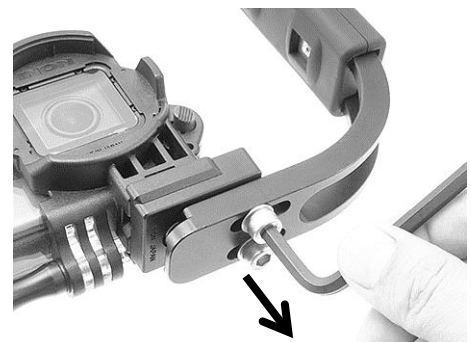


**Installation :** **1) Remove cap screws/washers that fastens 「D Holder」**

Remove two each of cap screws and washers that fastens 「D Holder」 by using an Allen Wrench (WAF:5mm) which comes with the D Holder. Please keep removed cap screws/washers as they are necessary to attach the D Holder without this product.



Remove D Holder from 「Grip Base D4」



Remove D Holder from INON action camera compatible product

**2) Set packaged cap screws on this product**

Set supplied 2 x “M6x20 Low Head Cap Screw” on this product as shown in the right image.

Make sure to insert cap screws into the screw holes with concave part so that screw heads seat in the concave parts.



**3) Fasten 「D Holder」 with supplied Allen Wrench**

Tighten cap screws by supplied Allen Wrench (WAF: 4mm) to fasten the 「D Holder」 as shown in the below images.



**■ When using “Panhead Adapter Base” (standard accessory of 「UW 3-Way Panhead」 (fasten securely with two screws)**

When using the “Panhead Adapter Base” bundled with INON「UW 3-Way Panhead」 to fasten the D Holder securely through two screws, **insert two sets of “1/4 Cap Screw (S)”/“M6 Washer” in either side of slots on the “Panhead Adapter Base” as shown in below left image then fix with this product by tightening the two “1/4 Cap Screw(S)”**.



**■ When using INON「UW Tripod Hub」 or conventional tripod (fasten with one screw)**

Install the 「D Holder」 combined with this product on a tripod through either of tripod holes(U1/4) on this product.

**4) Install on a tripod/pan-head**

Refer to respective user manual to install your camera system.

**Installed via “Panhead Adapter Base (Fasten with two screws)**



**Installing on a conventional tripod (Fasten with one screw)**



**Storage:**

- After completely dry, store the product in shaded, well ventilated and dry area. Avoid storing near chemicals or in the area with cold/high temperature, high humidity or large temperature and humidity fluctuations to prevent deformation, mold, rust or corrosion
- Keep this product out of reach of children. They may swallow accessories or small parts of this product. See a doctor immediately if a child swallow accessories or small parts.

**Handling Precautions:**

- When transporting on land, remove combined camera from the tripod to carry separately. Otherwise camera may be accidentally fell off causing personal injury or property damage etc.
- Depending on combined camera system, center of gravity may not help stable placement of the tripod to cause abrupt falling down resulting in personal injury, malfunction of combined camera or property damage. Take extra caution to keep stable placement of the tripod if combined system is not stable enough.
- Make sure to install combined system properly and tighten the Elevator Stopper etc. completely according to this user manual to prevent accidental fell off of the camera or falling down of whole system.

**Options:**

- **UW Tripod Hub**  
Fundamental part to create underwater tripod system and compatible with this product. Leg mounts can have INON 「Carbon Telescopic Arm」 or 「Stick Arm」 to benefit wide range of tripod heights to suits to various applications.
- **UW 3-Way Panhead**  
A pan-head exclusively designed for「UW Tripod Hub」. Equipped with large handles to support easy and précised camera positioning. Bundled adapter further assures reliable installation of a housing



INON Tripod Adapter for D Holder specifications [*1]	
Model	Tripod Adapter for D Holder
Size [*2]	φ30mm/1.2in×7.2mm/0.3in
Weight [*2]	[air] 10g/0.4oz[U/W] approx. 6g/0.2oz
Material/finishing	Corrosion resistant alluminum alloy rigid black alumite

\*1 Specification is subject to change without prior notice

\*2 Excluding cap screws.

INON Inc.  
2-18-9, Dai, Kamakura,  
Kanagawa 247-0061 JAPAN  
E-mail [support@inon.co.jp](mailto:support@inon.co.jp)  
Fax. +81(0)467-48-2178  
URL <http://www.inon.jp/>

June 2018