

INON ARM II System

Z Adapter II

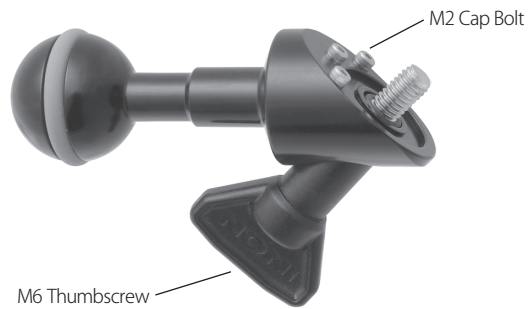
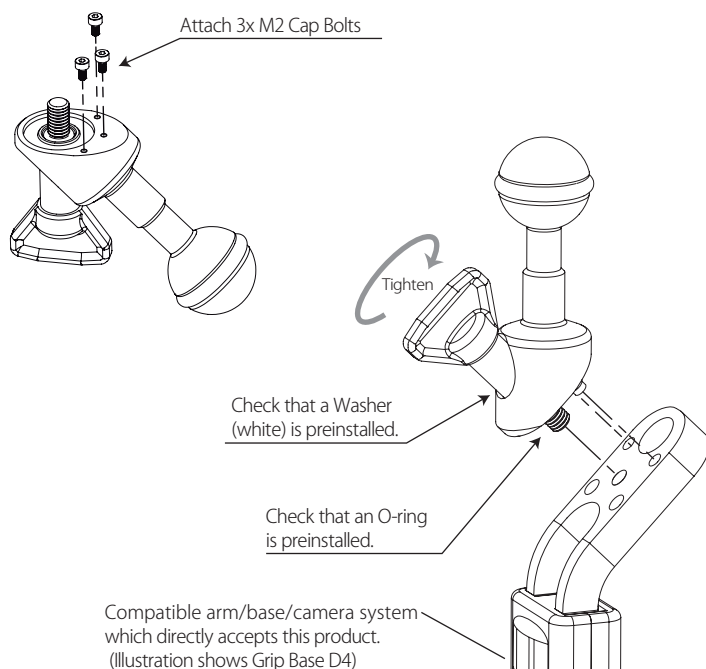
Features

The Z Adapter II is an optional product to add INON Arm II compatible ball-joint on a strobe, light holder or base. An arm product is combined in combination with a clamp. Metal body enhances stability of combined arm. It is useful when handling long arm via this accessory as the Z Adapter II attached on the Grip Base D4/M1 will have its ball-joint vertically or horizontally.

How to attach

●When installing on compatible arm/base (compatible product directly accepts this product)

Put 3x M2 Cap Bolts in screw holes on contact surface of the Z Adapter II with supplied Allen Wrench. After initial usage, make sure to apply grease in these screw holes to prevent electrical corrosion. Then fix the Z Adapter II by tightening with the M6 thumbscrew. Make sure to retighten the M6 Thumbscrew whenever you observe loosening or backlash during use.



Specifications

Package contents	Z Adapter II x1 (M6 Thumbscrew x1, Washer(white) x1 and O-ring x1, M2 Cap Bolt x3 are preinstalled) M2 Allen Wrench x1, Spare O-ring x1, Spare Washer (white) x1
Material	Aluminium alloy, Polycarbonate, Stainless, Rubber
Dimensions	W69mm(1.9in) x H62mm(3.0in) x D25mm(1.0in), Effective length 59mm(2.3in)
Weight	air 58g(2.0oz) / u/w approx.36g(1.3oz)
Compatible strobe/Light Holder etc.	D-2000, D-2000S, D-2000W/Wn, D-180, D-180S, Z-240, Z-220, Z-220S, Z-220F, S-2000, Double Light Holder LE, Quad Light Holder LE, Strobe Light Holder LE, Strobe Light Holder LF
Compatible arm/base etc.	Grip Base D4, Grip Base M1, D Holder, D Holder Extension Bar, Port Arm for MRS, Port Arm for UFL-MR130 EFS130, Tripod Adapter

●When installing on compatible strobe/Light Holder

①When adjusting strobe position

Attach the Z Adapter II without supplied 3x M2 Cap Bolts if you intend to adjust strobe position during usage. You can swing the combined strobe on the Z Adapter MV around the M6 thumbscrew to change strobe aiming.

②When fixing strobe position

Attach the Z Adapter II on a compatible strobe with supplied 3x M2 Cap Bolts to fix strobe movement on the Z Adapter II and only ball joint part can be movable.

