

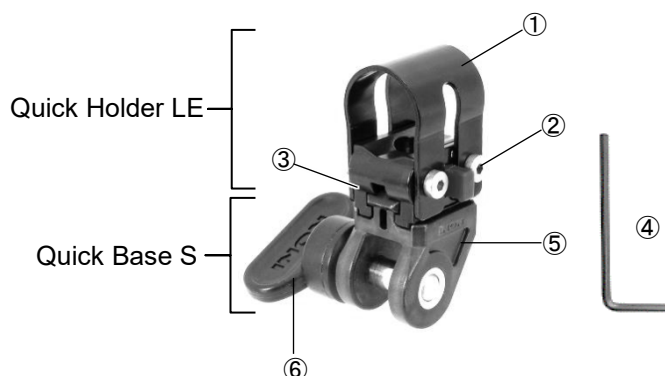
INON

INON Quick Holder Set S-LE

Thank you for purchasing INON product.

INON "Quick Holder Set S-LE" is a set of "Quick Holder LE" to attach INON LE series LED torch on "Quick System", and "Quick Base S" to be attached on YS Mount arm/adapter.

Package contents:	• Quick Holder LE Plate	①	×1
	• M4 x8 Low Head Cap Screws	②	×4
	• Quick Holder Base	③	×1
	• Allen Wrench (WAF: 2.5mm)	④	×1
	• Quick Base S	⑤	×1
	• M8 Thumbscrew	⑥	×1
	• This user manual		×1



**Compatible:
products
(as of July 2019)**

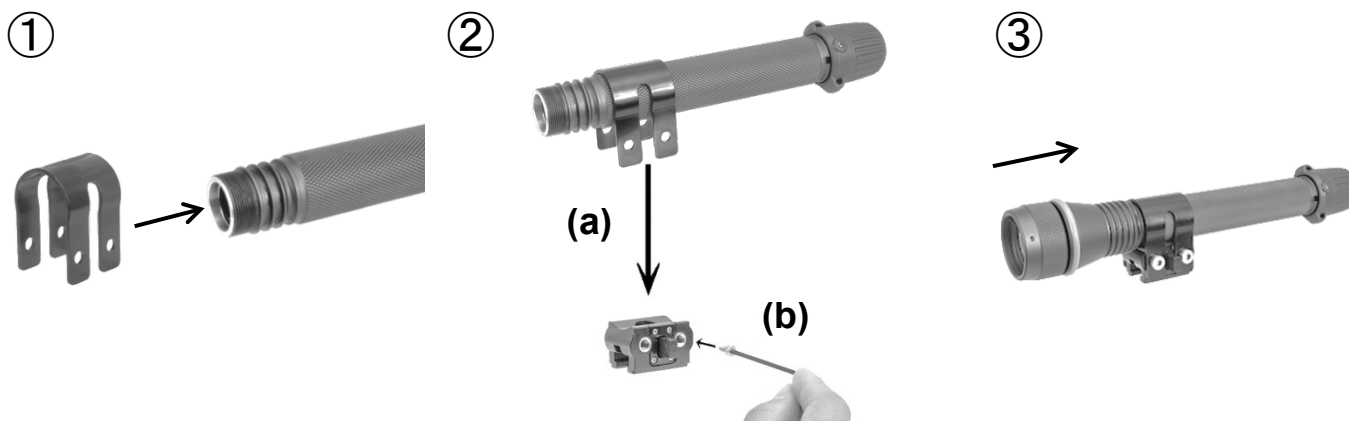
[Compatible LED torch]

- INON LE series LED torch
"LE700-S", "LE700-W", "LE350",
"LE550-S", "LE550-W", "LE250", "LE240"

[Compatible YS Mount arm]

- INON "Shoe Base II", "Direct Base YS RT", "Direct Base YS", "Bar Mount",
"Grip Base D4", "Grip Base M1", "D Holder", "D Holder Extension Bar"
"YS Adapter MV", "Double YS Adapter MV", "YS Adapter WB MV", "YS Adapter",
"YS Arm MS Body", "YS Arm M Body", "Port Arm for MRS", "Port Arm for UFL-MR130 EFS60"

Installation:



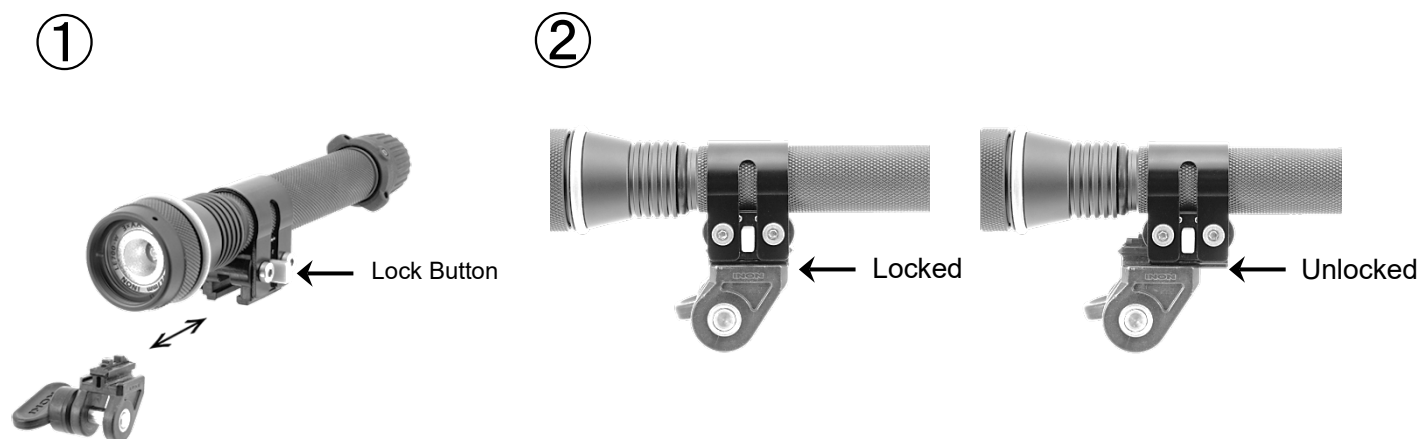
Quick Holder Installation

- ① First remove the "light head", 1x black (or orange) O-ring and 2 x yellow O-rings from the battery box. Then widen the "Quick Holder LE Plate" and install it on the battery box.
- ② Put the "Quick Holder Base" in the "Quick Holder LE Plate" so that their screw holes are matched. **(a)** Grease up screw holes of the "Quick Holder Base" by using INON grease packaged with an LED torch, then fasten the "Quick Holder Base" on the "Quick Holder Plate LE" with packaged "M4 x8 Low Head Cap Screws". **(b)**
- ③ Install removed O-rings on the battery box properly, then attach the "light head" on the battery box.

* Make sure to refer instruction manual of respective LED torch and follow proper procedures when removing/installing O-rings and "light head"

Quick Holder System Installation/Removal

- ① With pressing the Lock Button, insert male slide of the “Quick Base” into female slide of the “Quick Holder LE”
 - ② Release the Lock Button once the “Quick Holder LE” has come to the lock position as show in center of below images. Except for lock position, female slide of the “Quick Holder LE” and male slide of the “Quick Base” won’t be engaged.
- *Before use, make sure that “Quick Holder LE” and “Quick Base” is securely fastened at lock position.**



Maintenance:

- After using, soak in fresh water to dissolve remaining salt or remove dirt and dry it in shaded and well ventilated area. Never apply flame or direct heat to this product or damage may result.
- ***DO NOT*** clean with organic solvent like alcohol, benzene or thinner and oil and fat containing / chemical material like rust inhibitor, lubricant, polish, detergent (especially alkaline detergent) to avoid damage/deformation/degradation of this product (PC part etc.).
- Remove the combined LED torch from this product when not using more than one week to avoid damage/deformation of the combined product resulting from continuous pressure.
- Periodically grease up screw holes (threaded hole) on the “Quick Holder LE”/“Quick Base S” and threaded part of screws with supplied grease with INON grease (grease for an INON LED torch) to prevent anchoring of screws due to salt build-up or electrical corrosion.
- If the Lock Button doesn't move smoothly over the period of time, apply INON grease (grease for an INON LED torch).

Storage:

- Store out of direct sunlight in well-ventilated, dry area. Avoid storing near chemicals, high ozone, large temperature and humidity fluctuations to avoid deformation, damage, rust, mold or corrosion etc.
- Keep the product out of reach of children. They may swallow parts of this product. See a doctor immediately if a child swallow parts.

Handling Precautions:

- When transporting, be sure to hold “whole of camera system” instead holding this product only or combined product (LED torch) only and ***DO NOT*** apply excessive shock, vibration or excessive load on the combined system to avoid combined product or this product being fell off/damaged /missing.

INON Quick Holder Set S-LE Specifications [*1]	
Model	INON Quick Holder Set S-LE
Size (W x H x D)	24.6 x 67.7 x 34.1mm/1.0 x 2.7 x 1.3 in. [*2]
Weight	62g/2.2 oz (air), approx.33g/1.2 oz (underwater)
Material/finishing	PC/corrosion resistant alluminum alloy/rigid almite

*1 Specifications are subject to change without prior notice.

*2 Excluding Thumbscrew

INON Inc.
 2-18-9, Dai, Kamakura,
 Kanagawa 247-0061 JAPAN
 E-mail support@inon.co.jp
 Fax. +81(0)467-48-2178
 URL <http://www.inon.jp/>

July, 2019