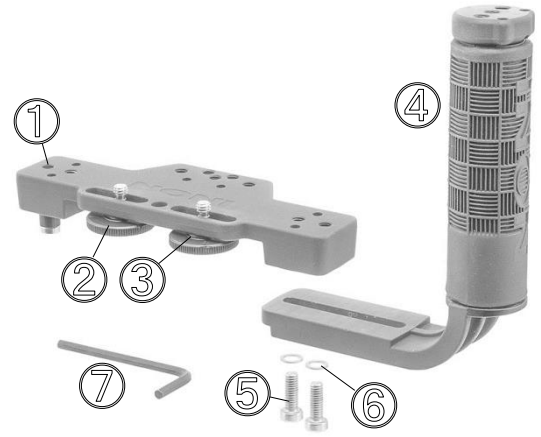


INON

Grip Base D5

Thank you for purchasing INON product.

- Package contents:**
- D5 Base ×1
 - D5 Holder ×1
 - Allen Wrench (WAF: 4mm) ⑦ ×1
 - This user manual ×1
- | | | |
|---|--------------------------|------|
| } | D5 Base | ① ×1 |
| | 1/4 Tripod Screw (L13.6) | ② ×2 |
| | 1/4 Tripod Screw Spacer | ③ ×2 |
| } | D5 Holder | ④ ×1 |
| | M6x18 Low Head Cap Screw | ⑤ ×2 |
| | M6 φ 10 Washer | ⑥ ×2 |



- Compatible Products [Housing]**
- INON X-1 series housing
 - INON X-2 series housing
 - INON Mount Base/Lens Adapter Base/Video Base(*1)
 - Other manufactures' housing (*2)(*3)

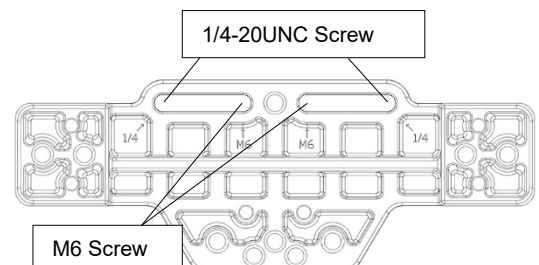
- (*1) Optional "M6 Base Tripod Screw Set" is required.
For the installation, please refer to the user manual of "M6 Base Tripod Screw Set".
- (*2) Compatible housing has to have two 1/4 tripod screw holes with center-to-center distance from 20mm/0.8 inch through 70mm/2.8 inch.
- (*3) INON Inc. has not confirmed compatibility with specific product(s) from other manufactures. Before using, please make sure the product(s) is compatible and does not interfere with other combined product(s).

- Compatible Products [Arm System]**
- *Direct Base III*
 - *Multi Direct Base IIa, Multi Direct Base II Long*
 - *Multi Direct Base II WB, Z Adapter II*
 - *Direct Base YS RT*
 - *Shoe Base Adapter D4 + Shoe Base 1/4-20UNC/Shoe Base M6*
 - *Shoe Base Adapter D4 + Shoe base BALL/Shoe Base II*

Installing D5 Base on a housing : Place the *D5 Base* on the base of compatible housing to match 1/4 Tripod Screws with the tripod screw holes then partially/equally tighten both screws. Check if the *D5 Base* is properly positioned, then completely tighten both 1/4 Tripod Screws to fasten the *D5 Base*.



The *D5 Base* is equipped with slotted long holes to adjust the position of the 1/4-20UNC/M6 screws. There are respective screw threads for each type of screws as shown in the right image. Remove M6 Screws from inner ends and 1/4-20UNC screws from outer ends of the slotted holes.



Installing D5 Holder : Attach the *D5 Holder* with supplied two pairs of *M6 Low Head Cap Screw/M6 φ 10 Washer* to the M6 screw holes as shown in the right image. Though the *D5 Holder* can be attached on either side, it would be recommended to attach on left hand side if you use single strobe. Installing optional *D5 Holder* on the other end enables to use 2nd strobe and to hold whole system by both hands.



Arm system installation : The top of the *D5 Holder* can hold compatible arm system.



Each three of *Direct Base III*/*Multi Direct Base IIa* can be attached on the bottom of the *D5 Base* to make it simple tripod system.



Direct Base III

Multi Direct Base IIa

Maintenance :

- After using, soak in fresh water to dissolve remaining salt or remove dirt and dry it in shaded and well ventilated area. Never apply flame or direct heat to this product or damage may result.
- Do not clean with organic solvent like alcohol, benzene or thinner and oil and fat containing / chemical material like rust inhibitor, lubricant, polish, detergent (especially polyoxymethylene) to avoid damage/deformation/degradation of this product.
- Periodically apply grease (grease for housing) on metal part of screws to prevent rust.

Storage :

- Store out of direct sunlight in well-ventilated, dry area. Avoid storing near chemicals, high ozone, large temperature and humidity fluctuations to avoid deformation, damage, rust, mold or corrosion etc.
- Keep the product out of reach of children. They may swallow parts of this product. See a doctor immediately if a child swallow parts.

Handling precautions :

- Make sure to follow installation procedures described in this manual. Insufficient tightening of *M6 Low Head Cap Screw* may lead to accidental separation of combined products and/or damage.
- **DO NOT** use this product for non-compatible products to avoid accidental separation of combined products and/or damage. Use only with compatible products listed in this user manual.
- Hold this product during transportation of whole system without applying excessive shock, vibration and/or pressure. Do not hold compatible products to transport whole system to avoid accidental separation of combined housing/protector causing damage on them.

Options :

- *M6 Base Screw Set*
Optional tripod screw set to attach this product on Mount Base/Lens Adapter Base/Video Base.

INON Grip Base D5 specifications [*1]

Model	Grip Base D5
Size	W208.5(8.2") x H142.5(5.6") x D59.5mm (2.3")
Weight	Air: 314g (11.1oz) / Underwater: approx 175g (6.2oz)
Material/finishing	Corrosion-resistant aluminum alloy/rigid alumite/ POM etc.

*1 Subject to change without prior notice

INON Inc.

2-18-9, Dai, Kamakura,
Kanagawa 247-0061 JAPAN
E-mail support@inon.co.jp
Fax. +81(0)467-48-2178
URL http://www.inon.jp/

December 2019