

INON

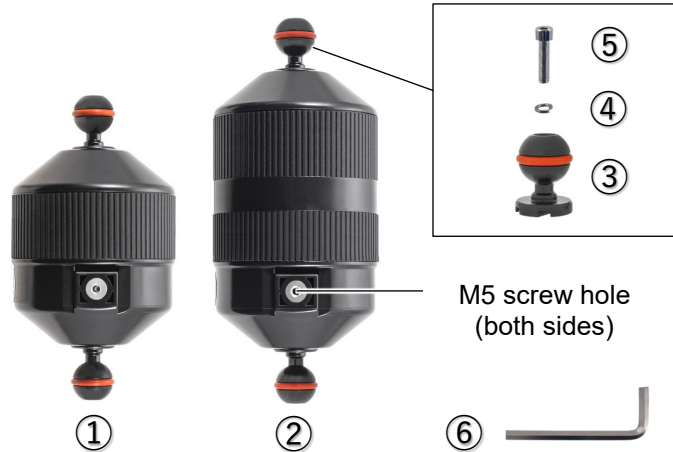
INON 90 Mega Float Arm

Thank you for purchasing an INON product.

The INON **90 Mega Float Arm** is made from lightweight, weather-resistant ABS material providing substantial buoyancy underwater. The connecting ball joint is detachable, allowing you to extend the effective length of the arm by replacing it with the separately sold "**FA Ball 45**".

Package contents

- 90 Mega Float Arm ×1
 - (90 Mega Float Arm 160 ①)
 - or
 - (90 Mega Float Arm 208 ②)
- FA Ball 25 (*pre-installed) ×2
 - (FA Ball 25 ③×2)
 - (M5 Spring Washer ④×2)
 - (M5×20 Cap Screw ⑤×2)
- Allen Wrench (WAF 4mm) ⑥×1



Compatibility

Ball joint (FA Ball 25/FA Ball 45)

- INON YS Ball Adapter
- INON Ball Adapter for GoPro



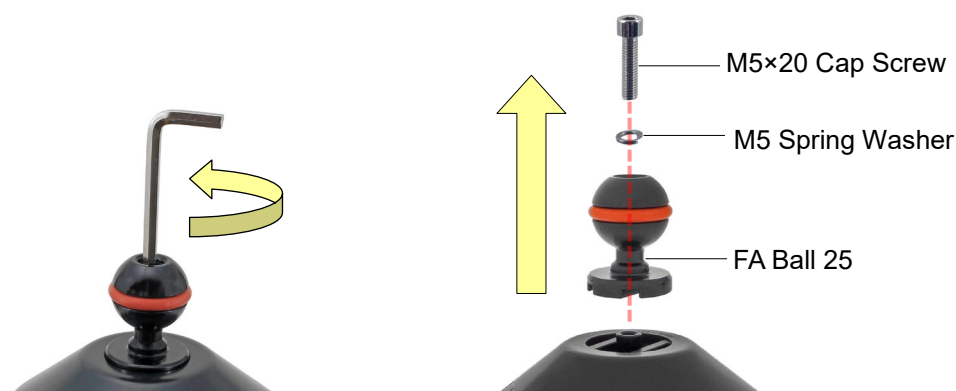
M5 screw base

- INON Lens Holder M5 products (ZD Lens Holder M5 etc.)
- INON Lens Holder for Float Arm products (M52 Lens Holder for Float Arm etc.)
- INON Shoe Base Spacer



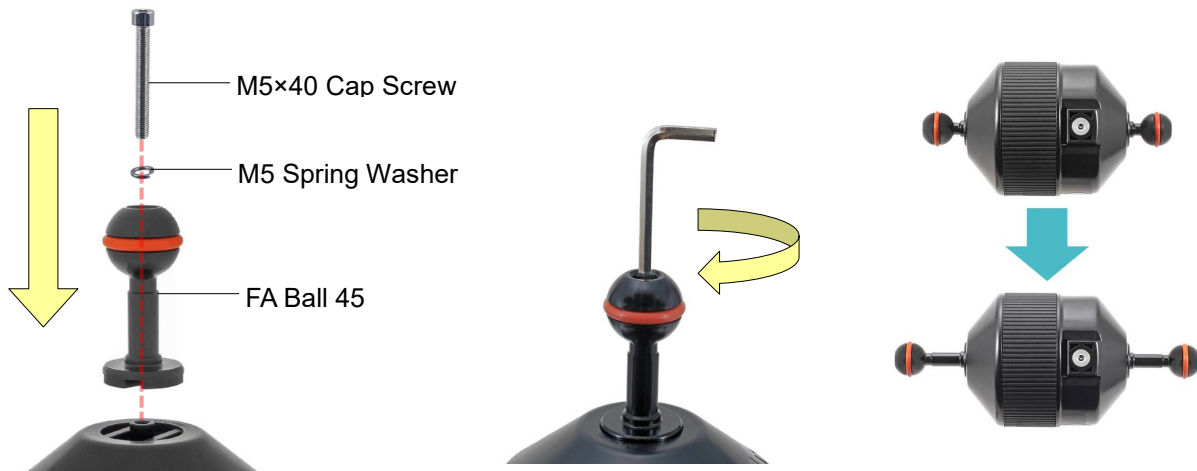
Removing FA Ball 25

- Using the supplied **Allen wrench (WAF 4 mm)**, remove the **M5×20 cap screw** and **M5 spring washer** securing the **FA Ball 25**, then detach the **FA Ball 25** from the body.
- Keep the removed parts (**FA Ball 25**, screw, and washer) for future use.
- To reinstall the **FA Ball 25**, follow the steps in reverse order. **DO NOT** overtighten the screw.



Optional FA Ball 45

- Replacing the standard ball with the optional **FA Ball 45** extends the effective arm length by **20 mm/0.8 inch on one side**.
- Thread the **M5x40 cap screw** included with the **FA Ball 45** through the **M5 spring washer**, then insert it into the **FA Ball 45**.
- Align the contoured shape of the **FA Ball 45** with the mount on the float arm, then secure it using an **Allen wrench (WAF 4 mm)**. **DO NOT** overtighten the screw.



Maintenance/Storage

- After use, rinse with fresh water to remove salt and other stains, and place in a well-ventilated area out of direct sunlight to dry thoroughly. **DO NOT** expose directly to fire or heat as this may cause deformation or damage.
- After drying, store the product in a dry, well-ventilated place out of direct sunlight. Avoid storage in environments with chemicals (such as camphor or mothballs), or in cold, hot, or humid conditions, or areas with drastic temperature changes, as these may cause deformation, damage, mold, rust, or corrosion.
- **DO NOT** use organic solvents such as alcohol, benzene, thinner, or oils/chemicals such as rust inhibitors, lubricants, glazing agents, or detergents (especially alkaline detergents) when cleaning the product. Some of the components of this product may change when exposed to the above substances, such as melting or becoming brittle.
- Keep out of reach of children. Small parts and accessories may pose a choking hazard if swallowed. In case of accidental ingestion, consult a doctor immediately.

Handling

- When transporting the equipment, always hold the entire camera housing set securely, not just this product. Avoid excessive shock, vibration, or force. Failure to do so may cause this product, the attached strobe, or the housing/protector to become detached, damaged, or lost.

Specifications

INON 90 Mega Float Arm Specifications [* 1]

Model		90 Mega Float Arm 160		90 Mega Float Arm 208	
		Air	U/W	Air	U/W
Weight	2x FA Ball 25	244g/8.6oz	-437g/15.4oz	326g/11.5oz	-694g/1.53lb
	1x FA Ball 25 1x FA Ball 45	249g/8.8oz	-433g/15.3oz	331g/11.7oz	-690g/1.52lb
	2x FA Ball 45	254g/9.0oz	-429g/15.1oz	336g/11.9oz	-686g/1.51lb
Effective length	2x FA Ball 25	160mm/6.3 inch		208mm/8.2 inch	
	1x FA Ball 25 1x FA Ball 45	180mm/7.1 inch		228mm/9.0 inch	
	2 x FA Ball 45	200mm/7.9 inch		248mm/9.8 inch	
Outer diameter		97mm/3.8 inch			
Material		ABS / corrosion-resistant aluminum alloy / rubber etc.			
Depth rating		70m/230 feet			

* Subject to change without prior notice

INON Inc.

2-18-9, Dai, Kamakura,
Kanagawa 247-0061 JAPAN
E-mail support@inon.co.jp
Fax. +81(0)467-48-2178
URL http://www.inon.jp/

April 2026