

INON

INON ZD Lens Holder M5 / ZD Lens Holder S

Thank you for purchasing INON product.

INON **ZD Lens Holder M5/ZD Lens Holder S** is attached on compatible arm etc. to help easy and speedy lens exchange underwater.

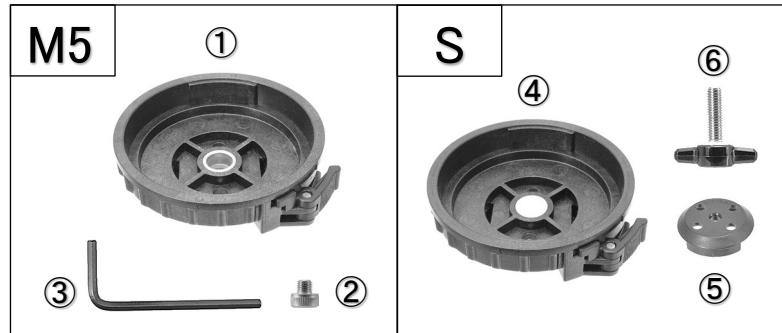
Package Contents

ZD Lens Holder M5

- ZD Lens Holder [hole] ①
- M5×5 Cap Screw ②
- Allen Wrench (WAF: 4mm) ③

ZD Lens Holder S

- ZD Lens Holder [screw] ④
- Lens Holder Base ⑤
- M5×18 Thumbscrew ⑥



Compatible Products

Lens

- INON **ZD Mount** lens

Arm

Compatible type of lens holder varies depending on combined arm/grip base etc. Please make sure that your lens holder is compatible with the arm/grip base to be attached.

● **ZD Lens Holder M5 compatible products**

- INON **Float Arm S/M/ML, Mega Float Arm S/M**
- INON **Mega Float Tube S/M** attached on Carbon Telescopic Arm SS/S/M/L
- INON **M5 Joint** attached on Stick Arm SS/S/M/L
- INON **M5 Joint** attached on Multi Ball Arm ML/L/LL/XL
- INON **Lens Holder Adapter D5** attached on Compact Grip Base for GoPro
- INON **Lens Holder Adapter D5** attached on D5 Holder, Grip Base D5
- INON **Light Adapter for GoPro**

● **ZD Lens Holder S compatible products**

- INON **Arm SS/S/M/L, YS Arm MS/M**
- INON **D Holder Extension Bar** attached on Grip Base D4, Grip Base M1, D Holder
- INON **Grip Base D II, Grip Base D III**

● **Compatible products to attach two lens holders (ZD Lens Holder [hole] and ZD Lens Holder [screw] on both sides)***

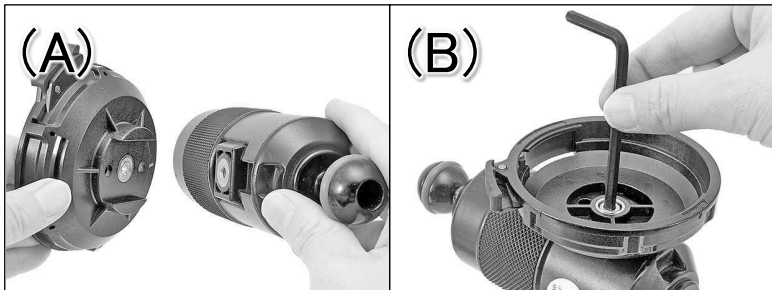
- INON **Arm SS/S/M/L, YS Arm MS/M**

**Optional M5 x 15 Cap Screw is required.*

Installation

- **Attach ZD Lens Holder M5 on Float Arm, Mega Float Arm, Mega Float Tube**

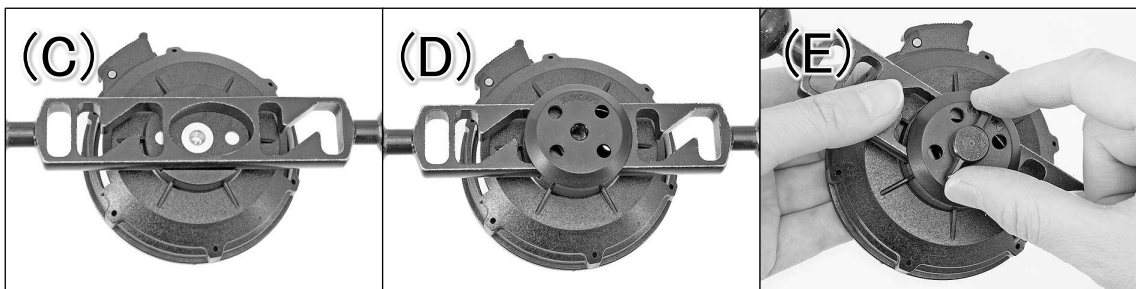
Attach on compatible product as shown in (A) so that the lens holder base on the compatible product seats in groove of the Lens Holder [hole]. Then fix it by the M5 x 5 Cap Screw supplied with this product/compatible product (B).



- **Attach ZD Lens Holder S on Arm, YS Arm, Grip Base D II/D III**

Attach the **ZD Lens Holder [screw]** and the **Lens Holder Base** on compatible arm as in (C)(D) below so that the arm seats between **ZD Lens Holder [screw]** and the **Lens Holder Base**. *INON logo on the **Lens Holder Base** must face you (center image). Then fix them by the M5 x 18 Thumb Knob Screw (E).

⚠ DO NOT overtighten to avoid damage.



- **Attach ZD Lens Holder [hole] and ZD Lens Holder [screw] on both sides of Arm, YS Arm**

Attach the **ZD Lens Holder [screw]** on compatible arm as in (F) so that the arm seats in groove and attach the **ZD Lens Holder [hole]** on the arm from the other side (G). Then fix them with optional M5 x 15 Cap Screw by using supplied Allen Wrench (H).

⚠ DO NOT overtighten to avoid damage.



● **Refer to respective user manual of combined products for below cases**

- Attach **ZD Lens Holder M5** on **Light Adapter for GoPro**
- Attach **ZD Lens Holder M5** on compatible product combined with **Lens Holder Adapter D5**
- Attach **ZD Lens Holder M5** on compatible product combined with **M5 Joint**
- Attach **ZD Lens Holder S** on compatible product combined with **D Holder Extension Bar**

Lens Installation

Follow same procedure to attach on **ZD Front Mask**. When referring user manuals of the lens/ZD Front Mask, **ZD Mount [Guide A]** should be read as **ZD Lens Holder [Guide A]**.

INON Inc.

2-18-9, Dai, Kamakura,
Kanagawa 247-0061 JAPAN

E-mail support@inon.co.jp

Fax. +81(0)467-48-2178

URL <http://www.inon.jp/>

November 2024