

# INON

## INON M67-LD Mount Converter for UCL-330/165M67

Thank you for purchasing INON products.

INON M67-LD Mount Converter for UCL-330/165M67 is exclusively for **28LD Mount** compatible "28LD Mount Base" to attach M67 Mount series attachment lens 「UCL-330」/「UCL-165M67」.

Please note that the M67-LD Mount Converter for UCL-330/165M67 is NOT compatible with 「UWL-100 Type1」/「UWL-100 Type2」.

- Compatible product:** (as of December 2010)
- [Attachment Lens]
    - INON 「UCL-330」, 「UCL-165M67」 close-up lens
  - [28LD Mount Base/Lens Holder]
    - INON 「28LD Mount Base·DC38」
    - INON 「LD Lens Holder W」, 「LD Lens Holder S」, 「LD Lens Holder for Float Arm」
- ★: Using this product will have significant vignetting on image corners with/without a lens on land and underwater at zoom range from wide end to middle. Zoom to telephoto side to eliminate vignetting.

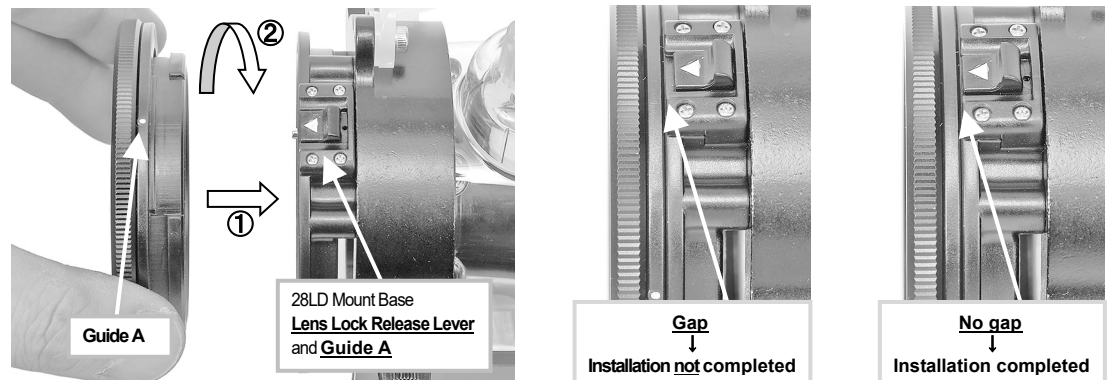
### M67 Mount side



### 28LD Mount side



- How to attach :**
- Apply a little amount of grease (supplied with an underwater case) on the leading edges of the bayonet as shown in the image (total three points).
  - Put this product on the 「28LD Mount Base」 so that 『Guide A』 of this product is coupled to 『Guide A』 of the 「28LD Mount Base」 (①).
  - Rotate the this product clockwise (②) until the lens lock release lever of the 「28LD Mount Base」 moves back to the original position where you should feel and hear clicking.



- How to remove:**
- Pulling the Lens Lock Release Lever of the「28LD Mount Base」to unlock, rotate this product in the reverse direction to separate from the 28LD Mount Base. Do not rotate this product without being unlocked to prevent damage on this product and/or 「28LD Mount Base」 .

- How to attach a lens:**
- Follow same procedure to attach on a water-proof protector equipped with M67/pitch 0.75 screw mount or INON M67 Mount Base. Refer to M67 mount series lens user manual for detail. Apply a little amount of grease (grease for housing) on threaded part of this product to prevent 「salt build-up」 or 「electrical corrosion」 between this product and M67 mount series lens.

INON Inc. 2-18-9, Dai, Kamakura, Kanagawa,  
247-0061 Japan E-mail [support@inon.co.jp](mailto:support@inon.co.jp) /  
Fax. +81(0)467-48-2178 URL <http://www.inon.jp/>  
As of December 2010