

INON

INON Video Base·V2

Thank you for purchasing INON product.

The INON「Video Base·V2」is dedicated accessory to attach INON LED flashlight product「LE350」etc. on Canon HD digital camcorder 「iVHS HF M41」/ 「iVHS HF M43」 genuine water-proof case「WP-V3」 or 「iVHS HF M31」 genuine water-proof case「WP-V2」. Optional strobe arm/lighting arm 「Shoe Base」/「D Holder」etc. and “light holder” product is necessary to attach compatible LED flashlight.

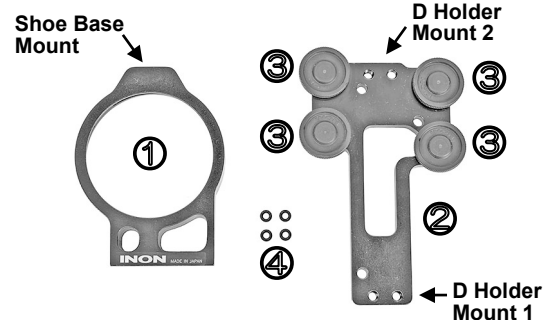
Features

- Directly mount versatile “「YS Adapter」compatible arm” 「Shoe Base」/「D Holder」. Maximum 1 x 「Shoe Base」 and 2 x「D Holder」 can be attached independently to support professional multi lighting needs as well as simple/compact set-up depending on shooting style.
- The「Video Base·V2」consists of a Base Plate which is designed to fit to water-proof case base with tripod screws and of a Video Base Port Unit attached on the water-proof case with pressure bonding to hold optional accessories securely without excessive load on tripod-screw mount of the water-proof case.
- This product does not obstruct open/close operation even with installed compatible strobe arm/lighting arm like 「Shoe Base」/「D Holder」enabling reliable optional accessory installation and high usability.

- Package contents :**
- Video Base Port Unit ① ×1
 - Base Plate ② ×1
 - 1/4 Tripod Screw (black) ③ ×4 (pre-installed on the Base Plate)
 - Spare O-ring set (for 1/4 Tripod Screws) ④×4
 - This user manual

- Compatible housing:**
- Canon WP-V3 (as of October 2012)
 - Canon WP-V2

- Compatible strobe/ lighting arm :**
- INON 「Shoe Base」 (as of October 2012)
 - INON 「D Holder」



Installation method :

- **Attaching the Video Base Port Unit**

First apply grease (grease for the water-proof case) in 「Screw Holes」 of the Video Base Port Unit then straightly attach the Video Base Port Unit on the 「WP-V3」/「WP-V2」 lens port all the way. If you feel little hard to attach it, do not try too hard instead put thin film of grease (grease for the water-proof case) on rubber pieces inside of the Video Base Port Unit before try again. Make sure that Video Base Port Unit has been put on the 「WP-V2」lens port all the way, then adjust the Video Base Port Unit so that its bottom part (where INON logo sticker is attached) becomes parallel to tripod screw hole of the 「WP-V3」/「WP-V2」 bottom part.



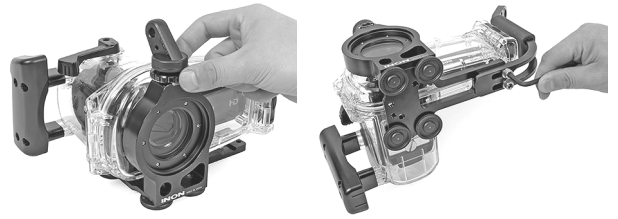
- **Attaching the Base Plate**

First put two projections on the 「WP-V3」/「WP-V2」 bottom part in two spot facings on the Base Plate then tighten screw(A)/(B) evenly to fix on the 「WP-V3」/「WP-V2」. Next make fine adjustment of the Video Base Plate position so that its screw holes accepts screw shafts of screw(B)/(C) then alternately and evenly tighten screw(C)/(D) to joint the Video Base Port Unit and the Base Plate firmly. Be sure that (A)/(B)/(C)/(D) screws have been securely tightened.



(Installation method) · **Attaching Shoe Base / D Holder**

Install on compatible mount part 「Shoe Base Mount」 or 「D Holder Mount 1/2」.
Refer to respective user manual for detail.



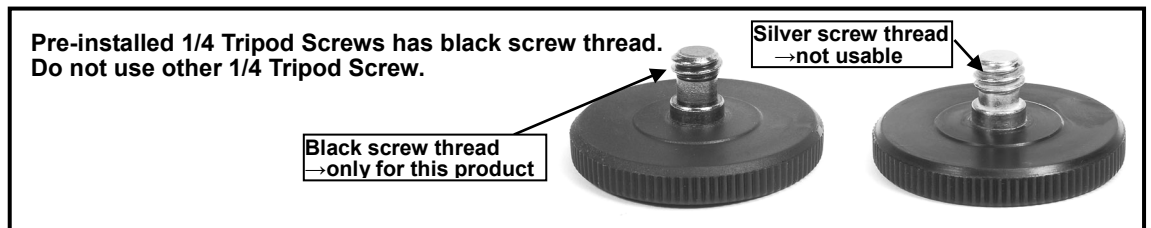
How to detach

Follow reverse procedure of installation where to remove the Base Plate first then detach the Video Base Port Unit.
When you open the 「WP-V3」/「WP-V2」 without removing this product and compatible strobe/lighting arm, LED flashlight etc, unscrew 「Screw(C)/(D)」 (shown in right bottom image on previous page) completely with holding the 「WP-V3」/「WP-V2」 so that all 1/4 Tripod Screws (black) are facing down in the situation where you may open the water-proof case without problem especially not to allow any water get inside in the water-proof case in accordance with the user manual.



Maintenance

- After use, clean with fresh water to remove salt and dirt/stain then dry in shaded and well-ventilated area. Never apply flame or direct heat to this product to avoid deformation or damage.
- Remove this product from the 「WP-V3」/「WP-V2」 when not in use more than one week to prevent possible deformation/damage on compatible product.
- Periodically apply grease (grease for a water-proof case) on a thread part of a metal screw to prevent rust resulting from electrical corrosion.
- Pre-installed 1/4 Tripod Screws (black) are held on the Base Plate with O-rings. If those screw(s) drops off frequently or you observe deteriorated O-ring, replace pre-installed O-ring with supplied spare O-ring.



Handling precautions:

- Canon water-proof balance weight「WW-DC1」is not usable together with this product. If you do not use attachment lens nor LED flashlight etc., please combine with other accessory to get slightly negative underwater weight to avoid accidental rapid ascent.
- Make sure to tighten all 1/4 Tripod Screws (black) adequately to avoid accidental separation/damage/lost of camcorder/water-proof case/LED flashlight etc. Please check all installation procedure has been properly completed.
- When you carry combined system, never apply excessive shock/vibration/load and not to hold 「WP-V3」/「WP-V2」 only to avoid accidental separation/damage/lost of camcorder/water-proof case/LED flashlight etc.

Please note that housing manufacture has no concern with the installation of this product on the housing. Do not inquire housing manufacture about the installation. Also please note that you have to take full responsibility for the installation.

The installation of this product may void warranty of housing even the warranty period has not been expired. Please check user manual/warranty certificate of housing for detail of warranty condition

INON INC. can not take any responsibility for any trouble/damage(damage to housing/housing accessories/camera) resulting from the installation.

Should you have trouble like flooding caused by the installation, INON INC. can not take any responsibility for incidental damage(relevant expense to take a shot etc.)

Please perform the modification only if you can accept above conditions.

INON Video Base·V2 specifications [*1]

Model	Video Base·V2
Size	W:140mm (5.5") x H:113mm (4.4") x D: 86.8mm (3.4")
Weight	Air :202g (7.1oz)/ Uunderwater: approx 125g (4.4oz)
Material/finishing	Corrosion-resistant aluminum alloy/rigid alumite, etc.

INON Inc.

2-18-9, Dai, Kamakura,
Kanagawa 247-0061 JAPAN

E-mail support@inon.co.jp

Fax. +81(0)467-48-2178

URLhttp://www.inon.jp/

October 2012

*1 Subject to change without prior notice