

INON

INON Video Base · V4

Thank you for purchasing INON product.

The INON「Video Base · V4」is dedicated accessory to attach INON LED flashlight product「LE550-W」etc. on Canon HD digital camcorder 「iVHS HF M51」 「iVHS HF M52」 / genuine water-proof case 「WP-V4」. **Optional strobe arm/lighting arm 「Shoe Base」 / 「D Holder」 etc. and “light holder” product is necessary to attach compatible LED flashlight.**

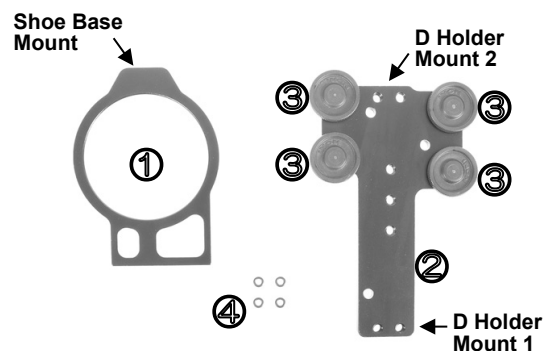
Features

- Directly mount versatile “「YS Adapter」compatible arm” 「Shoe Base」/「D Holder」. Maximum 1 x 「Shoe Base」 and 2 x「D Holder」 can be attached independently to support professional multi lighting needs as well as simple/compact set-up depending on shooting style.
- The 「Video Base · V4」 consists of a Base Plate V4 which is designed to fit to water-proof case base with tripod screws and of a Video Base Port Unit V4 attached on the water-proof case with pressure bonding to hold optional accessories securely without excessive load on tripod-screw mount of the water-proof case.
- This product does not obstruct open/close operation even with installed compatible strobe arm/lighting arm like 「Shoe Base」 / 「D Holder」 enabling reliable optional accessory installation and high usability.

- Package contents :**
- Video Base Port Unit V4 ① ×1
 - Base Plate V4 ② ×1
 - 1/4 Tripod Screw (black) ③ ×4 (pre-installed on the Base Plate V4)
 - Spare O-ring set (for 1/4 Tripod Screws) ④×4
 - This user manual

- Compatible housing:**
- Canon WP-V4 (as of April 2012)

- Compatible strobe/ lighting arm :**
- INON 「Shoe Base」 (as of April 2012)
 - INON 「D Holder」

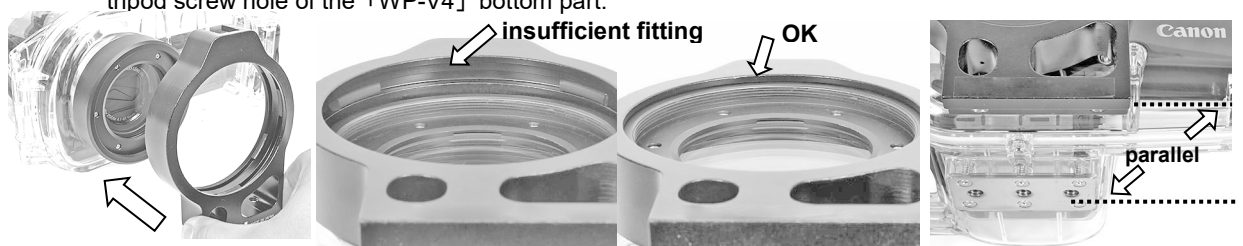


Installation method : **Attaching the Video Base Port Unit V4**

First apply grease (grease for the water-proof case) in 「Screw Holes」 of the Video Base Port Unit V4 then straightly attach the Video Base Port Unit V4 on the 「WP-V4」 lens port all the way.

If you feel little hard to attach it, do not try too hard instead put thin film of grease (grease for the water-proof case) on rubber pieces inside of the Video Base Port Unit V4 before try again.

Make sure that Video Base Port Unit V4 has been put on the 「WP-V4」 lens port all the way, then adjust the Video Base Port Unit V4 so that its bottom part (where INON logo sticker is attached) becomes parallel to tripod screw hole of the 「WP-V4」 bottom part.



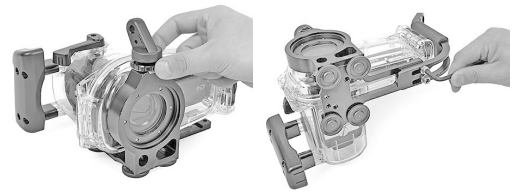
Attaching the Base Plate V4

First put two projections on the 「WP-V4」 bottom part in two spot facings on the Base Plate V4 then tighten screw(A)/(B) evenly to fix on the 「WP-V4」. Next make fine adjustment of the Video Base Plate V4 position so that its screw holes accepts screw shafts of screw(B)/(C) then alternately and evenly tighten screw(C)/(D) to joint the Video Base Port Unit V4 and the Base Plate V4 firmly. Be sure that (A)/(B)/(C)/(D) screws have been securely tightened.



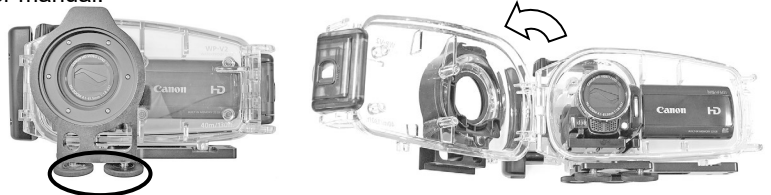
(Installation method) • Attaching Shoe Base / D Holder

Install on compatible mount part 「Shoe Base Mount」or 「D Holder Mount 1/2」.
Refer to respective user manual for detail._



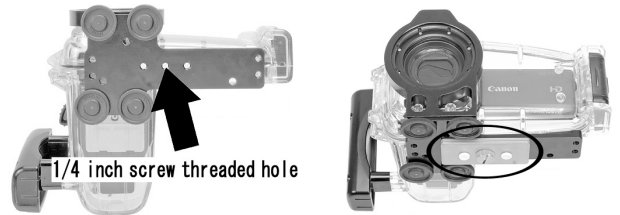
How to detach

Follow reverse procedure of installation where to remove the Base Plate V4 first then detach the Video Base Port Unit V4.
When you open the 「WP-V4」 without removing this product and compatible strobe/lighting arm, LED flashlight etc, unscrew 『Screw(C)/(D)』 (shown in right bottom image on previous page) completely with holding the 「WP-V4」so that all 1/4 Tripod Screws (black) are facing down in the situation where you may open the water-proof case without problem especially not to allow any water get inside in the water-proof case in accordance with the user manual.



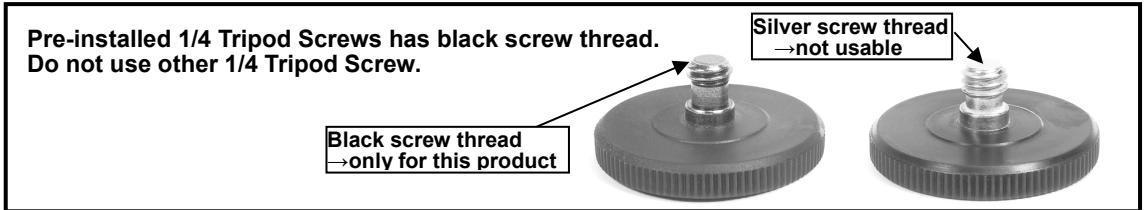
Installing waterproof case weight 「WW-DC1」

Canon waterproof case weight 「WW-DC1」 can be attached on this product.
Once you have read through instruction manual of the waterproof case weight 「WW-DC1」 and got complete understanding, attach it on the Base Plate V4 at center 1/4 screw threaded hole.



Maintenance

- After use, clean with fresh water to remove salt and dirt/stain then dry in shaded and well-ventilated area. Never apply flame or direct heat to this product to avoid deformation or damage.
- Remove this product from the 「WP-V4」 when not in use more than one week to prevent possible deformation/damage on compatible product.
- Periodically apply grease (grease for a water-proof case) on a thread part of a metal screw to prevent rust resulting from electrical corrosion.
- Pre-installed 1/4 Tripod Screws (black) are held on the Base Plate V4 with O-rings. If those screw(s) drops off frequently or you observe deteriorated O-ring, replace pre-installed O-ring with supplied spare O-ring.



Handling precautions:

- The combination of this product, 『I-VIS HF M51(with battery pack BP-717)』 and 「WP-V4」 will have 170g buoyancy underwater. Adjust total underweight slightly negative to avoid accidental uncontrolled ascent by attaching Canon waterproof case weight 「WW-DC1」 or other accessories.
- Make sure to tighten all 1/4 Tripod Screws (black) adequately to avoid accidental separation/damage/lost of camcorder/water-proof case/LED flashlight etc. Please check all installation procedure has been properly completed.
- When you carry combined system, never apply excessive shock/vibration/load and not to hold 「WP-V4」 only to avoid accidental separation/damage/lost of camcorder/water-proof case/LED flashlight etc.

Please note that housing manufacture has no concern with the installation of this product on the housing. Do not inquire housing manufacture about the installation. Also please note that you have to take full responsibility for the installation.

The installation of this product may void warranty of housing even the warranty period has not been expired. Please check user manual/warranty certificate of housing for detail of warranty condition

INON INC. can not take any responsibility for any trouble/damage(damage to housing/housing accessories/camera) resulting from the installation.

Should you have trouble like flooding caused by the installation, INON INC. can not take any responsibility for incidental damage(relevant expense to take a shot etc.)

Please perform the modification only if you can accept above conditions.

INON Video Base • V4 specifications [*1]

Model	Video Base • V4
Size	W:148mm (5.8") x H:113mm (4.4") x D: 86.1mm (3.4")
Weight	Air :197g (6.95oz)/ Underwater: approx 122g (4.3oz)
Material/finishing	Corrosion-resistant aluminum alloy/rigid alumite, etc.

INON Inc.
 2-18-9, Dai, Kamakura,
 Kanagawa 247-0061 JAPAN
 E-mail support@inon.co.jp
 Fax. +81(0)467-48-2178
 URL <http://www.inon.jp/>

*1 Subject to change without prior notice