

INON GX Magnet Ring

Thank you for purchasing INON product.

INON *GX Magnet Ring* is an optional product to install on compatible lens to use with INON *MRS System* compatible port enabling manual focusing/zooming by magnet attraction instead using mechanical gear.

- Package contents** :
- Magnet Ring ×1
 - Magnet Ring O-ring ×2
 - This user manual

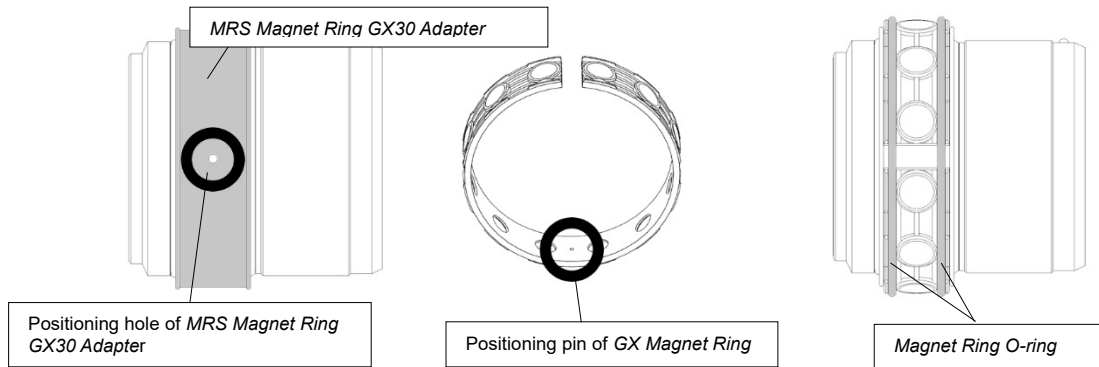


- Compatible lens** :
- (as of October 2019)**
- *Panasonic LUMIX G MACRO 30mm/F2.8 ASPH./MEGA O.I.S.*
(Optional *MRS Magnet Ring GX30 Adapter* is required)
 - *Panasonic LEICA DG MACRO-ELMARIT 45mm/F2.8 ASPH./MEGA O.I.S.*
 - *Panasonic LUMIX G VARIO 14-42mm/F3.5-5.6 II ASPH./MEGA O.I.S.*
(Optional *MRS Magnet Ring GX14-42 Adapter* is required)

- Compatible port** :
- (as of October 2019)**
- *MRS GX Macro Port*
 - *MRS GX Standard Port M67/LD*

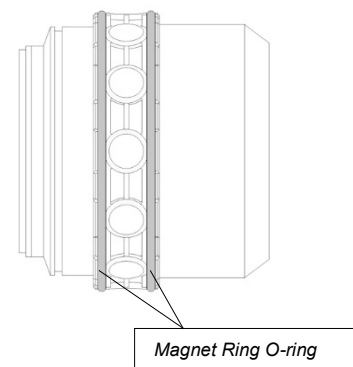
Installation/usage : **Panasonic LUMIX G MACRO 30mm / F2.8 ASPH. / MEGA O.I.S.**

First, attach the optional *MRS Magnet Ring GX30 Adapter* on the focus ring of the lens. Then attach the *GX Magnet Ring* on the *MRS Magnet Ring GX30 Adapter* so that positioning pin of the *GX Magnet Ring* seats in the positioning hole of the *MRS Magnet Ring GX30 Adapter*. Once the *GX Magnet Ring* has been set in position on the lens, bind it by supplied two Magnet Ring O-rings at grooves of the *GX Magnet Ring*.



Panasonic LEICA DG MACRO-ELMARIT 45mm / F2.8 ASPH. / MEGA O.I.S.

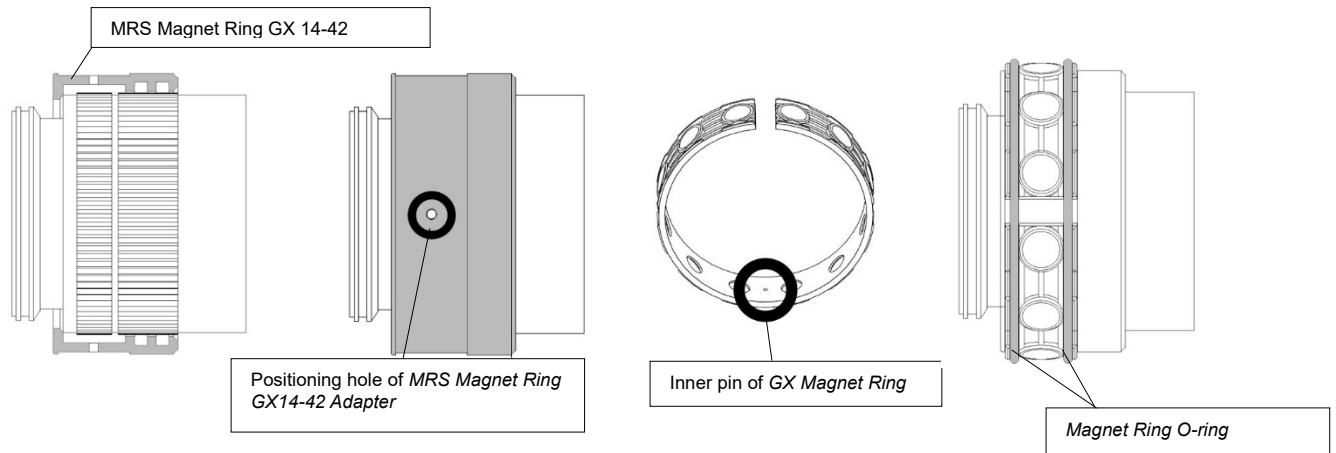
Attach the *GX Magnet Ring* on the focus ring of the lens and bind it by supplied two *Magnet Ring O-rings* at grooves of the *GX Magnet Ring*.



Panasonic LUMIX G VARIO 14-42mm/F3.5-5.6 II ASPH./MEGA O.I.S.

First, attach the optional *MRS Magnet Ring GX14-42 Adapter* on the focus ring of the lens.

Then attach the *GX Magnet Ring* on the *MRS Magnet Ring GX14-42 Adapter* so that positioning pin of the *GX Magnet Ring* seats in the positioning hole of the *MRS Magnet Ring GX14-42 Adapter*. Once the *GX Magnet Ring* has been set in position on the lens, bind it by supplied two Magnet Ring O-rings at grooves of the *GX Magnet Ring*.



- Handling precautions:**
- *GX Magnet Ring* uses strong magnet. We have confirmed that *GX Magnet Ring* does not affect camera lens by keep installing the *GX Magnet Ring* for half a year. However we have not conducted any further test, so it is recommend to store *GX Magnet Ring* and lens separately and install the *GX Magnet Ring* only when using the lens to avoid influence of magnet on the lens. Also keep away *GX Magnet Ring* from anything could have magnet influence like data storage device.
 - Please do not inquire lens manufacturer about installation of this product. The lens manufacturer has no concern with the installation of this product. Also you have to take full responsibility regarding the installation of this product.
 - INON Inc. is not responsible for any trouble/damage (damage to lens/lens accessories/camera) resulting from the installation.
 - Should you have trouble like flooding caused by the installation, INON Inc. is not responsible for incidental damage (relevant expense to take a shot etc.).
 - **Please perform the installation only if you can accept above conditions.**

INON Inc.

2-18-9, Dai, Kamakura,
Kanagawa 247-0061 JAPAN
E-mail support@inon.co.jp
Fax. +81(0)467-48-2178
URL <http://www.inon.jp/>

October 2019