

INON

Grip Base Ball Adapter

Thank you for purchasing INON product.

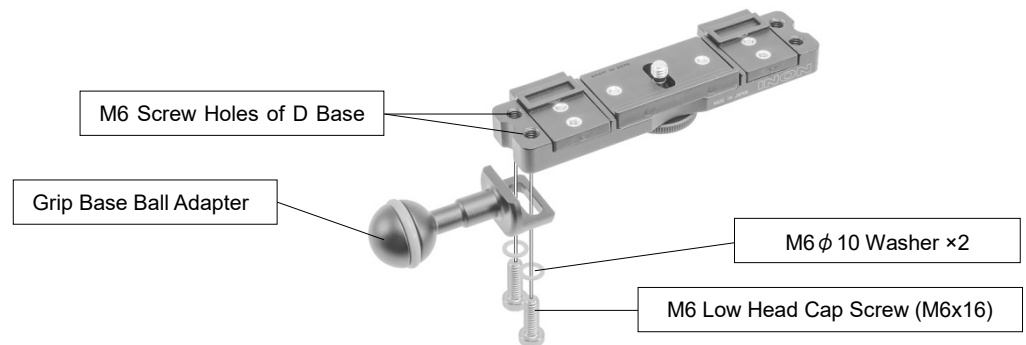
INON *Grip Base Ball Adapter* is a ball joint adapter to attach on the edge of compatible INON base tray products.

Package contents :	• Grip Base Ball Adapter	×1
	• M6 Low Head Cap Screw (M6x16)	×2
	• M6 Φ 10 Washer	×2
	• Allen Wrench (WAF:4mm)	×1
	• This user manual	×1



Compatible products: (As of June 2019)	• <i>Main Base III</i>
	• <i>Grip Base D4</i>
	• <i>Grip Base M1</i>
	• <i>Grip Base M1(12-24 Tripod Screw Set)</i>
	• <i>D Base SPS</i> (*Base plate of the <i>Grip Base D4</i>)
	• <i>D Base M1</i> (*Base plate of the <i>Grip Base M1</i>)
	• <i>D Base M1(12-24 Tripod Screw Set)</i> (*Base plate of the <i>Grip Base M1 (12-24 Tripod Screw Set)</i>)

Installation : Attach this product on the edge of compatible base tray at its "M6 Screw Holes" with supplied two each of "M6 Low Head Cap Screw(M6x16)" and "M6 Φ 10 Washer" as shown in below image.



Storage :

- Store the product in shaded, well ventilated and dry area. Avoid storing near chemicals or in the area with cold/high temperature, high humidity or large temperature and humidity fluctuations to prevent deformation, mold, rust or corrosion.
- Keep this product out of reach of children. They may swallow accessories or small parts of this product. See a doctor immediately if a child swallow accessories or small parts.

Handling Precautions:

- Make sure to tighten "M6 Low Head Cap Screw (M6 x 16)" completely. If the screws have not been properly tightened, combined product(s) via this product may be fell off/damaged/missing
- INON confirms product compatibility only with listed products. Never use this product for non-compatible product.
- When transporting, be sure to hold "whole of camera system" instead holding this product only or combined product only and DO NOT apply excessive shock, vibration or excessive load on the combined system to avoid combined product or this product being fell off/damaged/missing.

Grip Base Ball Adapter Specifications [*1]

Outer diameter/length	24.4 x 67.3 mm/1.0 x 2.6 inch
Weight (air)	42 g/1.5 oz *incl. screws and washers
Weight (underwater)	approx. 29 g/1.0 oz *incl. screws and washers
Material	Aluminum alloy, stainless, rubber etc.

*1 Specifications are subject to change without prior notice.

INON Inc.
2-18-9, Dai, Kamakura,
Kanagawa 247-0061 JAPAN
E-mail support@inon.co.jp
Fax. +81(0)467-48-2178
URL <http://www.inon.jp/>

June, 2019