

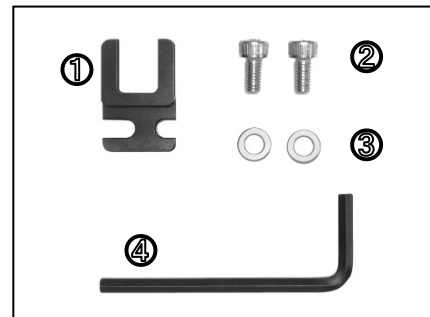
INON

INON Shoe Base Adapter D4

Thank you for purchasing INON product.

The INON Shoe Base Adapter D4 is designed to attach an INON Shoe Base product (Shoe Base II, Lens Holder Shoe Base etc.) directly on handle end of compatible INON product (Grip Base D5, Grip Base D4 etc.) or on Port Arm.

- Package contents:**
- Shoe Base Adapter ① ×1
 - M6x12 Low Head Cap Screw ② ×2
 - M6 Washer ③ ×2
 - Allen Wrench (AF:4mm) ④ ×1



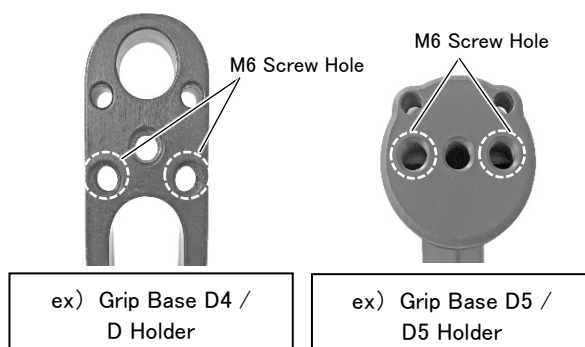
Compatible products: Base Stay / Port Arm

(as of October 2021) Grip Base D5, D5 Holder,
Grip Base D4, D Holder,
Grip Base M1, D Holder Extension Bar,
Port Arm MRS, Port Arm for UFL-MR130 EFS60

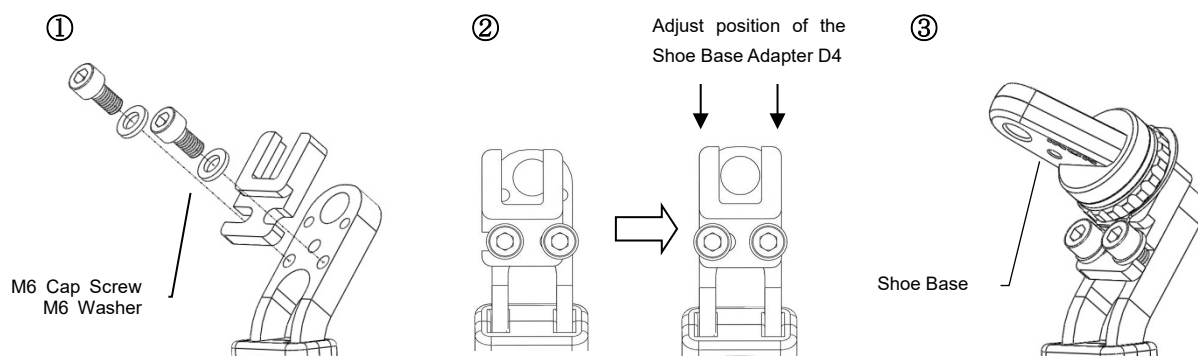
Shoe Base

Shoe Base II, Shoe Base 1/4-20UNC,
Shoe Base M6, Shoe Base BALL,
XD Lens Holder Shoe Base, AD Lens Holder Shoe Base,
M67 Lens Holder Shoe Base, M52 Lens Holder Shoe Base

Installation : Attach this product to the [M6 screw holes] of the compatible product (handle/port arm) following the procedure below.

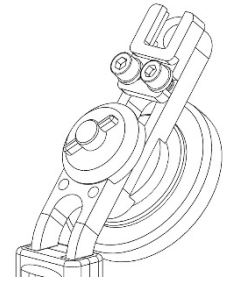


- ① Partially attach the Shoe Base D4 Adapter on the compatible product (below figure shows Grip Base D4) with supplied two sets of M6 Cap Screw /M6 Washer.
- ② Adjust Shoe Base Adapter position so that its sides and sides of compatible product are matched then fasten them completely by tightening M6 Cap Screws with supplied Allen Wrench.
- ③ Refer to respective user manual to install the Shoe Base.



: **Installing on INON D Holder Extension Bar**

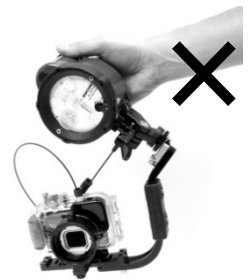
The Shoe Base Adapter D4 can not be attached on the same side of the D Holder Extension Bar where Lens Holder product is attached.



- Maintenance** :
- After using, soak in fresh water to dissolve remaining salt or remove dirt and dry it in shaded and well ventilated area. Never apply flame or direct heat to this product or damage may result.
 - Remove this product from combined Grip Base D4/D Holder/D Holder Extension Bar or Port Arm for MRS/Port Arm for UFL-MR130 EFS60 when not using more than one week to prevent rust caused by electrical corrosion.
 - Periodically apply grease (grease for housing) on metal part of screws to prevent rust caused by electrical corrosion.

- Storage** :
- Store out of direct sunlight in well-ventilated, dry area. Avoid storing near chemicals, high ozone, large temperature and humidity fluctuations to avoid deformation, damage, rust, mold or corrosion etc.
 - Keep this product out of reach of children. They may swallow parts of this product. See a doctor immediately if a child swallow parts

- Handling precautions** :
- Make sure to follow preparation/installation procedures described in this manual. Insufficient tightening of the M6 Cap Screws may lead to accidental separation of combined products and/or damage.
 - Be sure to attach the Shoe Base properly and fasten its fixing dial firmly to avoid accidental separation of combined housing/protector/strobe/LED flashlight causing separation/damage/lost.
 - Hold combined compatible housing etc. during transportation of whole system without applying excessive shock, vibration and/or pressure. Do not hold this product or compatible product only to transport whole system to avoid accidental separation of combined housing/protector/strobe/LED flashlight causing separation/damage/lost.



INON D Shoe Base Adapter D4 specifications [*1]

Model	Shoe Base Adapter D4
Size	W:25mm (1.0") x H:38mm (1.5") x D: 8.5mm (0.3")
Weight	Air :10g (0.4oz)/ Underwater: approx 6g (0.2oz)
Material/finishing	Corrosion-resistant aluminum alloy/rigid alumite etc.

*1 Subject to change without prior notice

INON Inc.

2-18-9, Dai, Kamakura,
Kanagawa 247-0061 JAPAN
E-mail support@inon.co.jp
Fax. +81(0)467-48-2178
URL <http://www.inon.co.jp/>

October 2021