

INON

INON D Holder Extension Bar

Thank you for purchasing INON product.

The INON D Holder Extension Bar is attached on INON「Grip Base D4」 「D Holder」 「Grip Base M1」 to use 「LD Lens Holder S」 , 「M67 Lens Holder S」 or 「AD Lens Holder」 .

Necessary optional part(s) and installation method will vary depending on attachment lens, strobe and LED flashlight to use. Please refer to 「Installation」 section on this manual for detail.

Package contents:

- D Holder Extension Bar ① ×1
- D Holder Extension Bar Spacer ② ×1
- Thumb Knob Screw ③ ×1
- M6 Cap Screw ④ ×1
- M6 Washer ⑤ ×1

Compatible products:

- INON 「Grip Base D4」
- INON 「D Holder」
- INON 「Grip Base M1」

【Base】
(as of November 2011)



Compatible products : It is necessary to prepare optional 「Lens Holder」 to attach an attachment lens on this product.

【Lens Holder】
(as of November 2011)

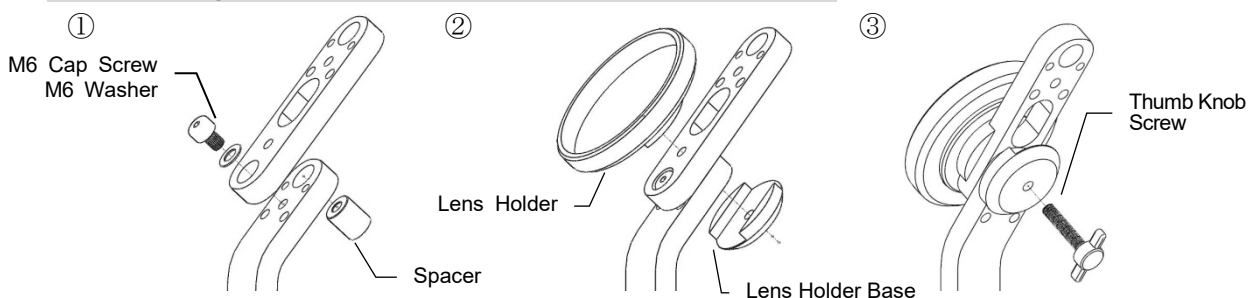
- AD Lens Holder (single mount)
- M67 Lens Holder S
- M67 Lens Holder W (single mount)
- LD Lens Holder S
- LD Lens Holder W (single mount)



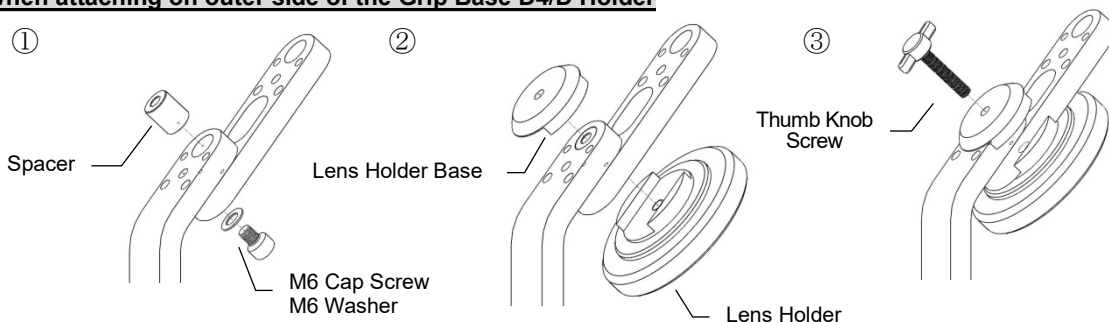
AD Lens Holder M67 Lens Holder LD Lens Holder

D Holder Extension Bar : There are two patterns how to attach this product on the Grip Base D4/D Holder depending on lens holder, attachment lens, strobe/LED flashlight, Arm II system product.

When attaching on camera side(inner side) of Grip Base D4 /D Holder



When attaching on outer side of the Grip Base D4/D Holder



- ① Partially attach the D Holder Extension Bar on the Grip Base D4 /D Holder with supplied M6 Cap Screw /M6 Washer. Next put supplied D Holder Extension Bar Spacer in a hole on the D Holder Extension Bar through the strobe fixing hole on the D Holder as shown image above. Then tighten the M6 Cap Screw completely by using an Allen Wrench supplied with Grip Base D4/D Holder.
- ② Put the Lens Holder [Screw] on this product so that the D Holder Extension Bar seats in a groove of the Lens Holder [Screw] and put the Lens Holder Base from other side of the Grip Base D4/D Holder.
- ③ Then joint them together with supplied Thumb Knob Screw.

Make sure to attach the Lens Holder [Screw] on the D Holder Extension Bar side (not on the D Holder side) to prevent possible damage.

“Strobe”/ : There are 3 patterns to attach “strobe”/“LED flashlight” on this product.

“LED flashlight”/
Arm II system
installation

- (A) Attaching via INON 「Z Joint」 or INON 「Single Light Holder・LE」(LED flashlight)
- (B) Attaching INON 「Multi Direct Base II」 or 「Multi Direct Base II・Long」 on this product and connecting “strobe”/“LED flashlight” on its ball joint via other “Arm II System” product.
- (C) Attaching INON 「Z Adapter」 on this product and connecting “strobe”/“LED flashlight” on its ball joint via other “Arm II System” product.

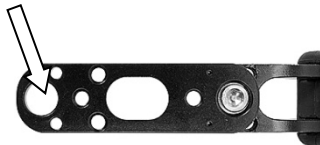
In case of above (B)/(C), it is necessary to prepare optional “Arm II System” product like 「Clamp」, 「Z Adapter」, 「YS Adapter」, 「Arm body」 to attach “strobe”/“LED flashlight”.

Please contact purchasing dealer or refer to strobe user manual, for detail of “Arm II System” and compatible strobe.

Please note that wireless connection is not usable even your strobe carries wireless feature since combined Lens Holder may block reflecting light from a camera mirror. Use Optical Cable connection.

(A)

Put supplied D Holder Spacer supplied with 「Grip Base D4」 / 「D Holder」 in the hole on the end of the 「D Holder Extension Bar」 indicated by the arrow in below left image. Then attach 「Z Joint」 / 「Single Light Holder・LE」 on the 「D Holder Extension Bar」. Please refer to 「Z Joint」 / 「Single Light Holder・LE」 user manual for detail. When fastening the 「Z Joint」 / 「Single Light Holder・LE」, the thumbscrew has to be opposite side of the D Holder Spacer. Otherwise the D Holder Extension Bar will be damaged by a metal screw of the 「Z Joint」 / 「Single Light Holder・LE」.



Put the D Holder Spacer



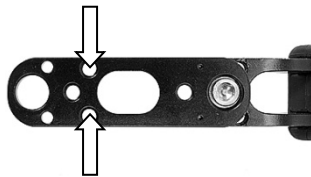
Lens Holder on inner side of the D Holder



Lens Holder on outer side of the D Holder

(B)

「Multi Direct Base II」, 「Multi Direct Base II・Long」 is attached on the end of the 「D Holder Extension Bar」 with M6 Cap Screws/M6 Washers (supplied with Multi Direct Base II/Multi Direct Base II・Long) at Multi Direct Base fixing hole indicated by arrows in below left image. Both products can be attached on the other side of the Lens Holder as shown in center/right image below.



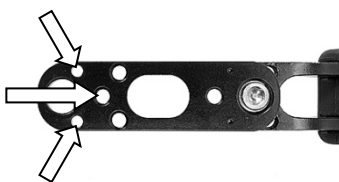
Lens Holder on inner side of the D Holder



Lens Holder on outer side of the D Holder

(C)

Put three screw (S) with washers in screw holes on strobe contact surface of the 「Z Adapter」 as shown in below left center image. Refer to 「Z Adapter」 user manual for detail. Then attach 「Z Adapter」 on the edge of the 「D Holder Extension Bar」 with the fixing screw (M6, black) and the spacer (black) (comes with 「Z Adapter」) at Z Adapter fixing hole indicated by arrows in below left image. The 「Z Adapter」 can be attached on the other side of the Lens Holder as shown in center/right image below.



Put three screw (S) with washers in screw holes of the 「Z Adapter」



Lens Holder on inner side of the D Holder



Lens Holder on outer side of the D Holder

- Maintenance** :
- After using, soak in fresh water to dissolve remaining salt or remove dirt and dry it in shaded and well ventilated area. Never apply flame or direct heat to this product or damage may result.
 - Do not clean with organic solvent like alcohol, benzene or thinner and oil and fat containing / chemical material like rust inhibitor, lubricant, polish, detergent (especially alkaline cleaning agents) to avoid damage/deformation/degradation of this product (like POM).
 - Periodically apply grease (grease for housing) on metal part of screws to prevent rust caused by electrical corrosion.

- Storage** :
- Store out of direct sunlight in well-ventilated, dry area. Avoid storing near chemicals, high ozone, large temperature and humidity fluctuations to avoid deformation, damage, rust, mold or corrosion etc.
 - Keep the strobe out of reach of children. They may swallow parts of this product. See a doctor immediately if a child swallow parts

- Handling precautions** :
- Make sure to follow preparation/installation procedures described in this manual. Insufficient tightening of the M6 Cap Screws may lead to accidental separation of combined products and/or damage.
 - Hold combined compatible **【base】** product during transportation of whole system without applying excessive shock, vibration and/or pressure. Do not hold this product or compatible Lens Holder only to transport whole system to avoid accidental separation of combined housing/protector/strobe/LED flashlight causing separation/damage/lost.

- Options** :
- Z Joint
Optional product for compatible INON digital camera compatible external strobe (「S-2000」, 「D-2000」, 「Z-240」etc.) or compatible Light Holder (「Double Light Holder・LE」, 「Quad Light Holder・LE」 etc.) to attach on “「YS Adapter」 compatible arm” including this product and enables to set up compact/simple external strobe system when using for this product or 「D Holder」 / 「Shoe Base」 .
 - Single Light Holder・LE
Optional product to attach single LED flashlight on “「YS Adapter」 compatible arm”. Especially for handy and compact camera system set-up with this product or INON 「D Holder」 / 「Shoe Base」
 - M67 Lens Holder S
Optional part to carry M67 Mount series lens on an arm body to help lens exchange and transportation underwater.
 - AD Lens Holder
Optional part to carry AD/28AD Mount attachment lens on an arm body to help lens exchange and transportation underwater. The AD Lens Holder [Screw] is compatible with the D Holder Extension Bar.
 - Grip Base D4
Newly developed “SPS(Slide Plate System)” equipped providing broad compatibility enabling direct installation on many housings to add 「YS Adapter」 compatible arm adapter. You can expand your system with optional Inon “Arm II System”/dedicated accessory for sophisticated lighting and multiple strobe lighting as well as optional “Mount Base” to use wide variety of Inon attachment lenses. Combined with this product enabling you to attach M67 Lens Holder/AD Lens Holder.
 - D Holder
Optional product for 「Grip Base D4」/「Video Base・V1」 to add 「YS Adapter」 compatible arm adapter/grip//handle enabling to carry multiple strobe/LED flashlight and hold whole system with both hands.



INON D Holder Extension Bar specifications [*1]

| | |
|--------------------|---|
| Model | D Holder Extension Bar |
| Size | W:25mm (1.0") x H:91mm (3.6") x D: 10mm (0.4") |
| Weight | Air :53g (1.9oz)/ Uunderwater: approx 34g (1.2oz) |
| Material/finishing | Corrosion-resistant aluminum alloy/rigid alumite etc. |

*1 Subject to change without prior notice

INON Inc.

2-18-9, Dai, Kamakura,
Kanagawa 247-0061 JAPAN
E-mail support@inon.co.jp
Fax. +81(0)467-48-2178
URL <http://www.inon.co.jp/>

November 2011