

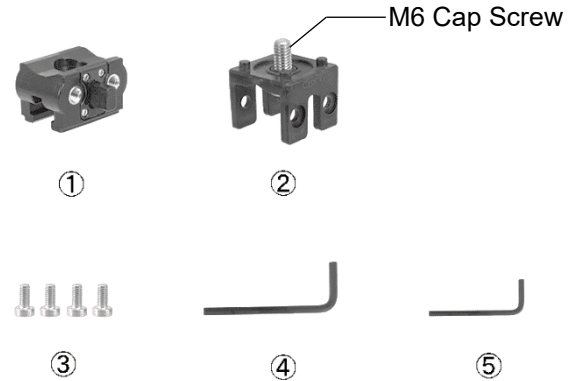
INON

INON Quick Holder Z

Thank you for purchasing INON product.

INON "Quick Holder Z" is a dedicated optional parts for INON strobe or INON SD Front Mask designed for action camera etc. to use INON "Quick System" either in combination with optional "Quick Base S" or "Quick Base M6W" to attach compatible strobe/action camera on INON YS Mount product.

Package contents:	• Quick Holder Base	①	×1
	• Strobe Base	②	×1
	• M4 x 8 Low Head Cap Screw	③	×4
	• Allen Wrench (WAF:5mm)	④	×1
	• Allen Wrench (WAF:2.5mm)	⑤	×1
	• This user manual		×1



Compatible Products:
(as of July 2019)

[Compatible strobe]

- INON "Z-330", "D-200", "S-2000", "Z-240", "D-2000", "D-2000S", "D-2000W/Wn"

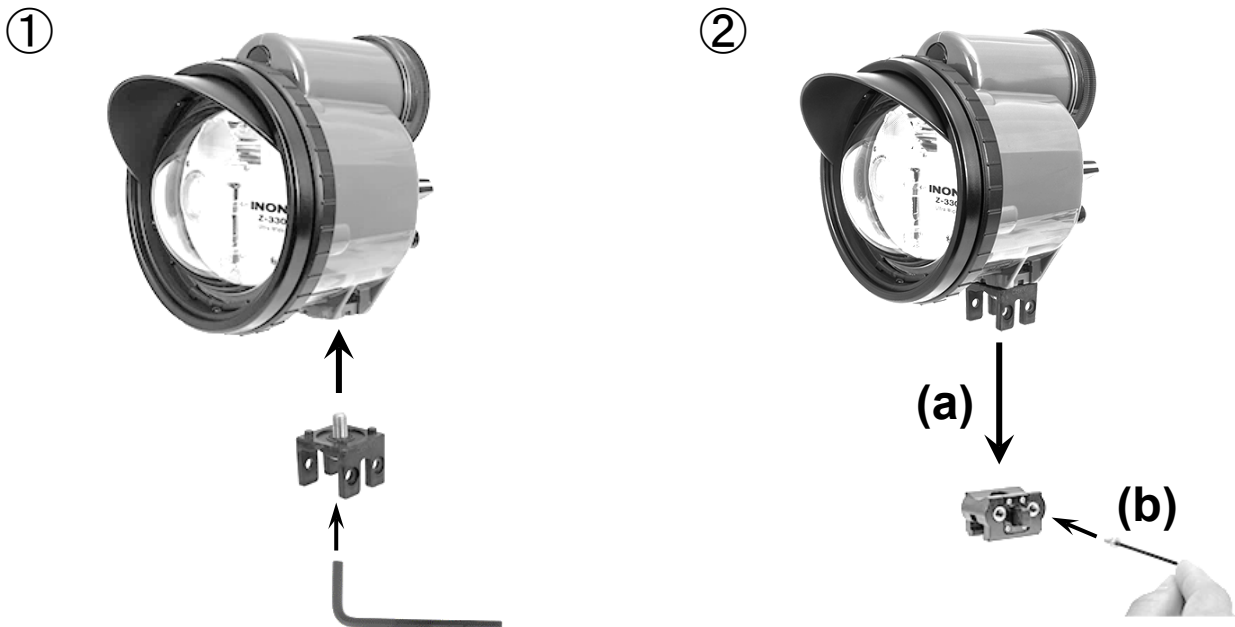
[Compatible Front Mask/Mount Base]

- INON "SD Front Mask for HERO5/6/7"
- INON "SD Front Mask STD"
- INON "SD Mount Base UWH1"
- INON "SD Mount Base for TG-Tracker"

[Compatible Quick Base]

- INON "Quick Base S"
- INON "Quick Base M6W"

Installation:

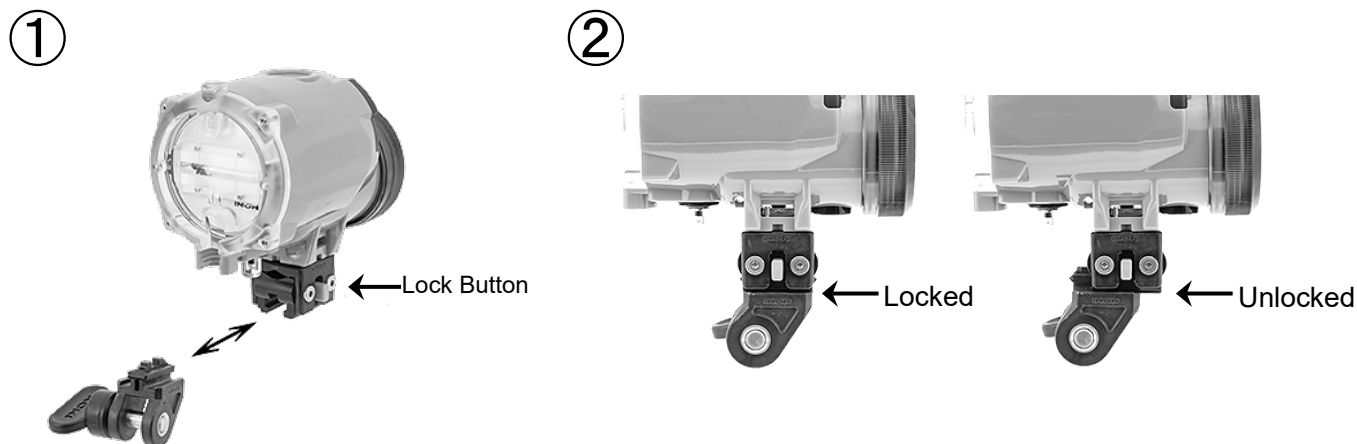


Quick Holder Installation

- ① Screw the pre-installed "M6 Cap Screw" of the "Strobe Base" in the screw hole on the bottom of the compatible product (strobe etc.) by using supplied Allen Wrench (WAF: 5mm).
- ② Put the "Quick Holder Base" in the "Strobe Base" so that their screw holes are matched. (a) Grease up screw holes of the "Quick Holder Base" by using INON grease, then fasten the "Quick Holder Base" on the "Strobe Base" with packaged "M4 x8 Low Head Cap Screws". (b)

Quick Holder System Installation/Removal

- ① With pressing the Lock Button, insert male slide of the “Quick Base” into female slide of the “Quick Holder Z”
 - ② Release the Lock Button once the “Quick Holder Z” has come to the lock position as show in center of below images. Except for lock position, male slide of the “Quick Base” and female slide of the “Quick Holder Z” won’t be engaged.
- *Before use, make sure that “Quick Holder Z” and “Quick Base” is securely fastened at lock position.**



Maintenance:

- After using, soak in fresh water to dissolve remaining salt or remove dirt and dry it in shaded and well ventilated area. Never apply flame or direct heat to this product or damage may result.
- ***DO NOT*** clean with organic solvent like alcohol, benzene or thinner and oil and fat containing / chemical material like rust inhibitor, lubricant, polish, detergent (especially alkaline detergent) to avoid damage/deformation/degradation of this product (PC part etc.).
- Remove the combined product from this product when not using more than one week to avoid damage/deformation of the combined product resulting from continuous pressure.
- Periodically grease up four screw holes (threaded holes) on the “Quick Holder Base”, and thread of the “M6 Cap Screw” with INON grease to prevent anchoring of screws due to salt build-up or electrical corrosion.
- If the Lock Button doesn’t move smoothly over the period of time, apply INON grease.

Storage:

- Store out of direct sunlight in well-ventilated, dry area. Avoid storing near chemicals, high ozone, large temperature and humidity fluctuations to avoid deformation, damage, rust, mold or corrosion etc.
- Keep the product out of reach of children. They may swallow parts of this product. See a doctor immediately if a child swallow parts.

Handling Precautions:

- When transporting, be sure to hold “whole of camera system” instead holding this product only or combined product (strobe etc.) only and ***DO NOT*** apply excessive shock, vibration or excessive load on the combined system to avoid combined product or this product being fell off/damaged /missing.

INON Quick Holder Z Specifications [*1]	
Model	Quick Holder Z
Size (W x H x D)	26.8mm x 26mm x 30.2mm/1.1 x 1.0 x 1.2in.
Weight	29g/1.0 oz.(air), approx.15g/0.5 oz. (underwater)
Material	PC/stainless

INON Inc.
 2-18-9, Dai, Kamakura,
 Kanagawa 247-0061 JAPAN
 E-mail support@inon.co.jp
 Fax. +81(0)467-48-2178
 URL <http://www.inon.jp/>

*1 Specifications are subject to change without prior notice.

July, 2019