

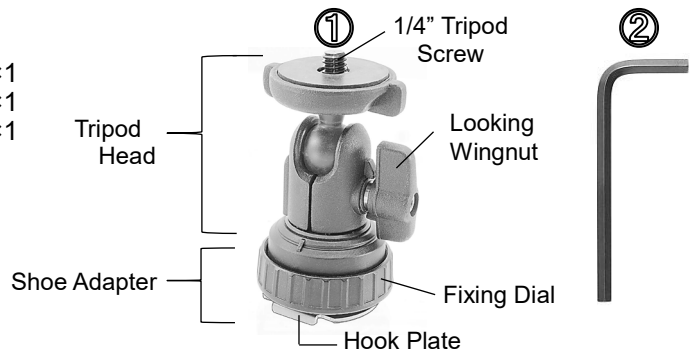
# INON

## INON Shoe Base 1/4-20UNC

Thank you for purchasing INON product.

The INON Shoe Base 1/4-20UNC can link cold shoe of a camera housing and INON Single Light Holder LF/LE for Tripod or compatible action camera system. A part of this product can be used as a tripod head. Having a ball head system, provides compact yet wide range of movement (360-degree rotatable and 180-degree back and forth).

- Package contents:**
- Shoe Base 1/4-20UNC Body① ×1
  - Allen Wrench(WAF:3/16")② ×1
  - This user manual ×1



### Compatible

**Product:**  
(as of November,

#### 【Shoe Adapter】

- Accessory Shoe (\*1) of water-proof camera housings, “Mount Base” and “Video Base” etc.
- INON 「Shoe Base Spacer」 「Shoe Base Adapter D4」 「Shoe Base Adapter X-2」 + compatible product

#### 【1/4 inch Tripod Screw】

- INON 「Single Light Holder LE for Tripod」 + INON LE series flashlight (LE350 etc.)
- INON 「Single Light Holder LF for Tripod」 + INON LF series flashlight (LF1000-S etc.)
- INON action camera accessories, 「SD Mount Cage」
- Action camera/compact digital camera equipped with 「1/4-20UNC」 tripod screw hole (screw hole depth 5mm or deeper)

#### 【Bottom of the Tripod Head】

- 1/4" Tripod Screw of a tripod

(\*1) Refer to the 「Shoe Base M6 / 1/4-20UNC Compatibility Chart」 on INON official website.

### Set-up example:



### Installation:

#### Installing on a cold shoe

- Lock the Locking Wingnut then loosen the Fixing Dial to push up the Hook Plate as in below left image.
- Attach the Shoe Base 1/4-20UNC on the cold shoe all the way to the back end.
- Hitch the nail of the Hook Plate on the back edge of the cold shoe then tighten the Fixing Dial (\*3)



(\*3) Depending on design of a cold shoe, the Hook Plate nail cannot reach to the back edge. If this is the case with your housing, install this product with locating the nail facing front.

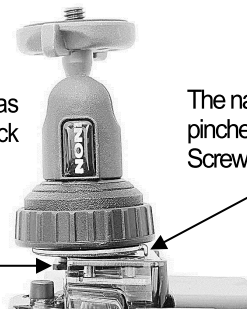
### **Confirming proper installation**

After installation, make sure to confirm that the Fixing Dial is properly tightened and the Shoe Base 1/4-20UNC is installed properly as in below left image. Incomplete tightening of the Fixing Dial or improper installation could lead to accidental removal/damage/loss of this product and/or combined system.



**Proper installation**

Shoe Base 1/4-20UNC has *not* reached to the back end of the cold shoe



The nail of the Hook Plate is pinched between the Fixing Screw and cold shoe

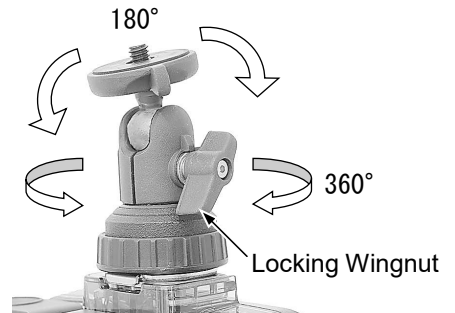
**Improper installation**

### **Angle adjustment**

The Tripod Head can rotate 360 degree and moves 180 degree back and forth when the Locking Wingnut is in unlock position by turning it counterclockwise (as like left image) while turning the Locking Wingnut clockwise to lock the tripod head position.

Even after locking, you can still adjust Tripod Head position with moderate friction.

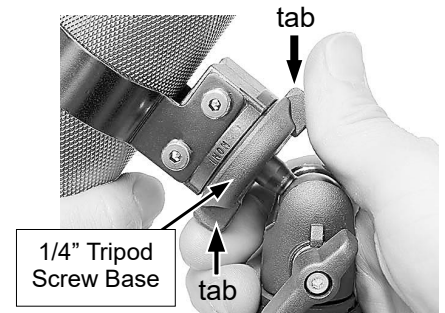
\*Depending on combined product, the range of movement may have limitation.



### **Installing on 1/4 tripod screw hole**

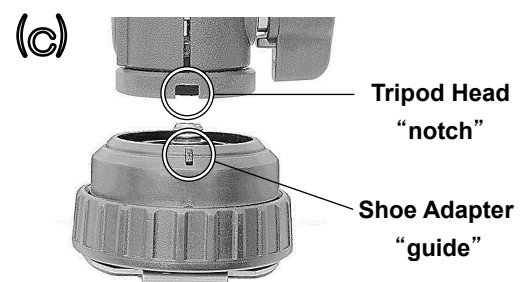
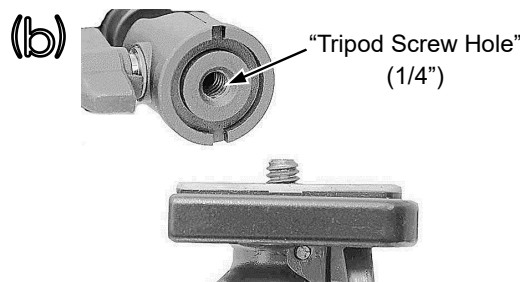
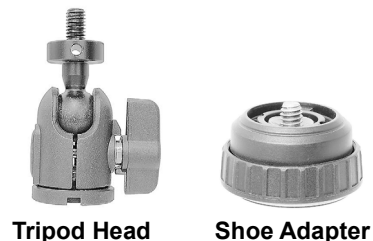
Unlock the Locking Wingnut and turn the 1/4" Tripod Screw Base to screw the 1/4" tripod screw in 1/4" tripod screw hole of the combined product with holding this product.

After partially tightening, completely tighten the 1/4" Tripod Screw Base by turning it with holding tabs on the base with fingertips.



### **Disassembly/installation on a tripod etc./reassembly**

- Lock the Locking Wingnut then unscrew a cap screw located on the bottom of this product by packaged Allen Wrench (WAF:3/16") to separate 「Tripod Head」 and 「Shoe Adapter」.
- The 「Tripod Head」 can be attached on a tripod at its "tripod screw hole (1/4")" on the bottom.
- To reassemble them, first lock the Locking Wingnut and match two components so that a notch of the Tripod Head aligns with the "guide" on the Shoe Adapter. Then fasten them with the cap screw by using the supplied Allen Wrench (WAF:3/16").

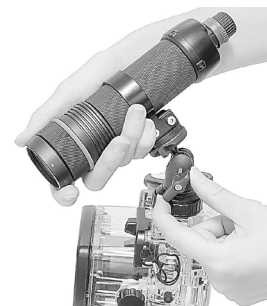


- Maintenance:**
- After each use, rinse with fresh water to dissolve any salt build-up and clean the product. Place in shaded and well ventilated area to completely dry. Never apply flame or direct heat or deformation/damage may result.
  - ***DO NOT*** clean with organic solvent like alcohol, benzene or thinner and oil and fat containing /chemical material like rust inhibitor, lubricant, polish or chemical agents (especially alkaline cleaning agents). This product is made from polycarbonate etc., which will dissolve or get brittle if put in contact with such materials.

- Storage method:**
- Store the product in shaded, well ventilated and dry area. Avoid storing near chemicals or in the area with cold/high temperature, high humidity or large temperature and humidity fluctuations to prevent deformation, mold, rust or corrosion.
  - Keep this product out of reach of children. They may swallow accessories or small parts of this product. See a doctor immediately if a child swallow accessories or small parts.

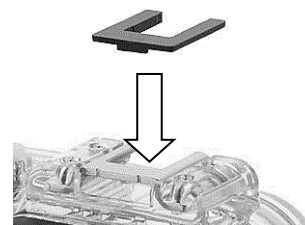
**Handling Precautions:**

- When releasing the Locking Wingnut, make sure to hold the combined product as shown in the right image to prevent accidental abrupt movement of the combined product to avoid personal injury like getting your hand caught in.
- Make sure to install the product properly according to this user manual. If the Fixing Dial has not been properly tightened or the Shoe Base body is not properly installed, housing/protector/ strobe/LED flashlight may be fell off/damaged/missing.
- INON confirms product compatibility only with listed products. Never use this product for non-compatible product to avoid combined product/housing/protector being fell off/damaged/ missing.
- When transporting combined system using this product, be sure to hold “compatible housing etc.” instead holding combined product or this product itself and do not apply excessive shock, vibration or excessive load on the combined system to avoid combined product/housing/protector being fell off/damaged/missing.



**Options:**

- Accessory Shoe Spacer for Canon  
Required to attach this product on accessory shoe of compatible Canon water-proof housings without rattle



- Shoe Base Adapter D4  
Optional product to attach this product on compatible product including base stay products such as 「Grip Base D4」 or 「Port Arm for MRS」 .



- Shoe Base Adapter X2  
Optional product to attach this product on compatible product including 「X-2」 series housing or 「Grip Bar III」



- Shoe Base Spacer  
Optional product to attach this product on compatible product including “Float Arm”/”Mega Float Arm, “Stick Arm”+ 「M5 Joint」 and “Multi Ball Arm”+ 「M5 Joint」 .



Please note that housing manufacture has no concern with the installation of this product on the housing. Do not inquire housing manufacture about the installation. Also please note that you have to take full responsibility for the installation.

The installation of this product may void warranty of housing even the warranty period has not been expired. Please check user manual/warranty certificate of housing for detail of warranty condition

INON INC. cannot take any responsibility for any trouble/damage(damage to housing/housing accessories/camera) resulting from the installation.

Should you have trouble like flooding caused by the installation, INON INC. cannot take any responsibility for incidental damage(relevant expense to take a shot etc.)

**Please perform the modification only if you can accept above conditions.**

INON Shoe Base1/4-20UNC Specification[*1]	
Model	Shoe Base 1/4-20UNC
Dimensions	W: 44mm (1.7in.) xH: 72mm (2.8in.) xD: 40mm(1.6in.)
Weight	Air: 78g (2.8oz) / Underwater: approx.45g (1.6oz)
Material/Finishing	Polycarbonate / aluminum alloy etc.

INON Inc.  
2-18-9, Dai, Kamakura,  
Kanagawa 247-0061 JAPAN  
E-mail [support@inon.co.jp](mailto:support@inon.co.jp)  
Fax. +81(0)467-48-2178  
URL <http://www.inon.jp/>

\*1 Specification is subject to change without prior notice