

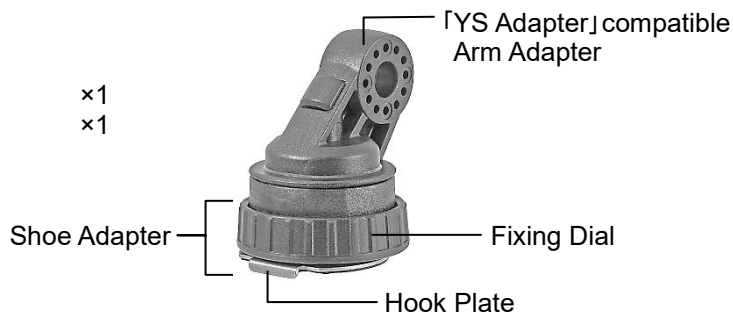
INON

INON Shoe Base II

Thank you for purchasing INON product.

The INON Shoe Base II is a 「YS Adapter」 compatible arm adapter for compatible camera manufacturer's genuine housing. INON external strobe (「Z-330」, 「S-2000」 etc.) or INON LED flashlight (「LF3100-EW」, 「LE350」 etc.) can be attached on via INON 「Z Joint」 / "Light Holder product" to set up compact and handy strobe/LED flashlight system.

- Package contents:**
- Shoe Base II Body (right image) ×1
 - This user manual ×1



Compatible Product:

【Shoe Adapter】

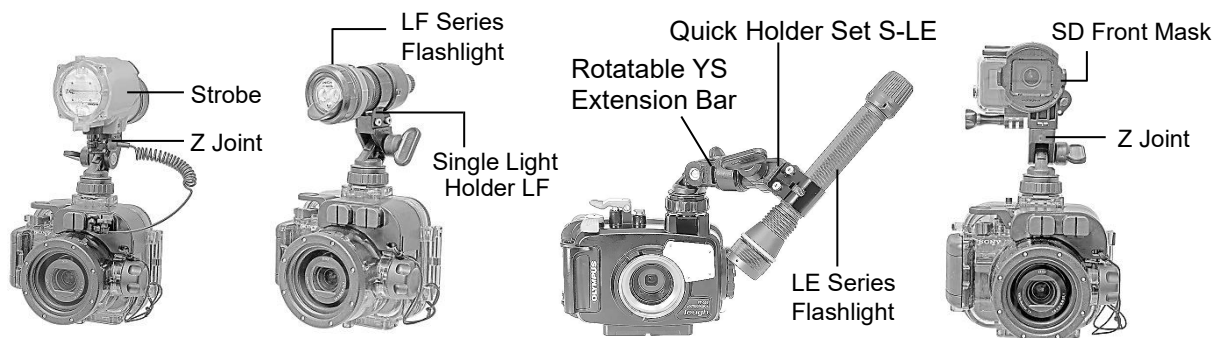
- Accessory Shoe (*1) on water-proof camera housings, "Mount Base" and "Video Base" etc.
- INON 「Shoe Base Spacer」
- INON 「Shoe Base Adapter D4」
- INON 「Shoe Base Adapter X-2」

【「YS Adapter」 compatible Arm Adapter】

- INON 「Z Joint」
- INON 「Rotatable YS Extension Bar」
- INON 「Single Light Holder LE」
- INON 「Single Light Holder LF」
- INON 「Quick Holder Set S-Z」
- INON 「Quick Holder Set S-LE」
- INON 「Quick Holder Set S-LF」
- INON 「Quick Base M6W」

(*1) Refer to the 「Shoe Base II Compatibility Chart」 on INON official website.

Set-up example:



Installation

Installing on a cold shoe

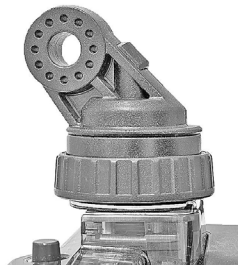
- (a) Loosen the fixing dial of this product to push up the hook plate as in below left image.
- (b) Attach the Shoe Base II on the cold shoe all the way to the back end.
- (c) Hitch the nail of the Hook Plate on the back edge of the cold shoe then tighten the Fixing Dial.(*2)



(*2) Depending on design of a cold shoe, the Hook Plate nail cannot reach to the back edge. If this is the case with your housing, install this product with locating the nail facing front.

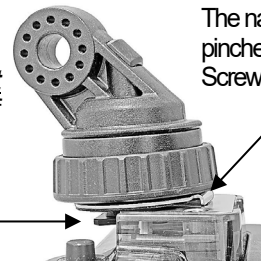
Confirming proper installation

After installation, make sure to confirm that the Fixing Dial is properly tightened and the Shoe Base II is installed properly as in below left image. Incomplete tightening of the Fixing Dial or improper installation could lead to accidental removal/damage/loss of this product and/or combined system.



Proper installation

Shoe Base II has *not* reached to the back end of the cold shoe

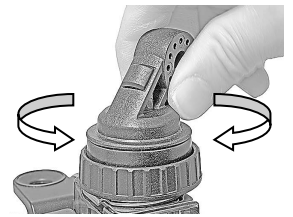


Improper installation

The nail of the Hook Plate is pinched between the Fixing Screw and cold shoe

Angle adjustment

The "「YS Adapter」compatible arm adapter" turns around 360 degrees as shown in right image for flexible strobe/LED flashlight positioning. However working range may have limit depending on mounting direction of combined 「Z Joint」



Installing on 「YS Adapter」 compatible Arm Adapter

Attach compatible 「Z Joint」 or "Light Holder" on the "「YS Adapter」compatible arm adapter" as shown in left image (image shows installation of 「Z-330」+「Z Joint」 on the Shoe Base II). Refer to respective user manual for detail of installation method.

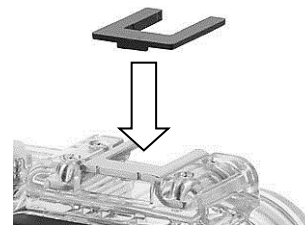


- Maintenance** :
- After each use, rinse with fresh water to dissolve any salt build-up and clean the product. Place in shaded and well ventilated area to completely dry. Never apply flame or direct heat or deformation/damage may result.
 - Do not clean with organic solvent like alcohol, benzene or thinner and oil and fat containing /chemical material like rust inhibitor, lubricant, polish or chemical agents (especially alkaline cleaning agents). This product is made from polycarbonate etc., which will dissolve or get brittle if put in contact with such materials.
- Storage method** :
- Store the product in shaded, well ventilated and dry area. Avoid storing near chemicals or in the area with cold/high temperature, high humidity or large temperature and humidity fluctuations to prevent deformation, mold, rust or corrosion.
 - Keep this product out of reach of children. They may swallow accessories or small parts of this product. See a doctor immediately if a child swallow accessories or small parts.
- Handling precautions** :
- Make sure to install the product properly according to this user manual. If the Fixing Dial has not been properly tightened or the Shoe Base II body is not properly installed, housing/protector/ strobe/LED flashlight may be fell off/damaged/missing.
 - INON confirms product compatibility only with listed products. Never use this product for non-compatible product to avoid combined product/housing/protector being fell off/damaged/ missing.
 - When transporting combined system using this product, be sure to hold "compatible housing etc." instead holding combined product or this product itself and do not apply excessive shock, vibration or excessive load on the combined system to avoid combined product/housing/protector being fell off/damaged/missing.



Options:

- Accessory Shoe Spacer for Canon
Required to attach this product on accessory shoe of compatible Canon water-proof housings without rattle



- Shoe Base Spacer
Optional product to attach this product on compatible product including “Float Arm”/“Mega Float Arm, “Stick Arm”+ 「M5 Joint」 and “Multi Ball Arm”+ 「M5 Joint」 .



- Shoe Base Adapter D4
Optional product to attach this product on compatible product including base stay products such as 「Grip Base D5」 or 「Port Arm for MRS」 .



- Shoe Base Adapter X2
Optional product to attach this product on compatible product including 「X-2」 series housing or 「Grip Bar III」



Please note that housing manufacture has no concern with the installation of this product on the housing. Do not inquire housing manufacture about the installation. Also please note that you have to take full responsibility for the installation.

The installation of this product may void warranty of housing even the warranty period has not been expired. Please check user manual/warranty certificate of housing for detail of warranty condition

INON INC. cannot take any responsibility for any trouble/damage(damage to housing/housing accessories/camera) resulting from the installation.

Should you have trouble like flooding caused by the installation, INON INC. cannot take any responsibility for incidental damage(relevant expense to take a shot etc.)

Please perform the modification only if you can accept above conditions.

INON Shoe Base II Specification[*1]

| | |
|--------------------|---|
| Model | Shoe Base II |
| Dimensions | W: 40mm (1.6in.) x H: 52mm (2.0in.) x D: 46mm(1.8in.) |
| Weight | Air: 45g (1.6oz) / Underwater: approx.20g (0.7oz) |
| Material/Finishing | Polycarbonate / aluminum alloy etc. |

*1 Specification is subject to change without prior notice

INON Inc.
2-18-9, Dai, Kamakura,
Kanagawa 247-0061 JAPAN
E-mail support@inon.co.jp
Fax. +81(0)467-48-2178
URL <http://www.inon.jp/>

September, 2020