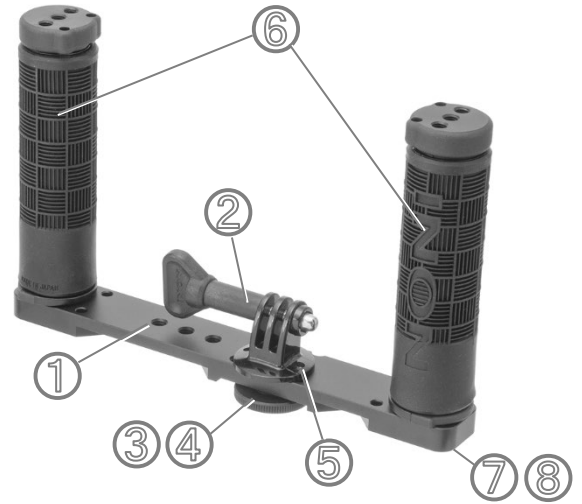


# INON

## Compact Grip Base for GoPro

Package contents	:	• Compact Grip Base	×1
		• Compact Base	① ×1
		• GP 1/4-20UNC Adapter	② ×1
		• 1/4 Tripod Screw (L13.6)	③ ×1
		• 1/4 Tripod Screw Spacer	④ ×1
		• M2x6 Cap Screw	⑤ ×2
		• Grip	⑥ ×2
		• M6x12 Low Head Cap Screw	⑦ ×4
		• M6φ10 Washer	⑧ ×4
		• Allen Wrench 1.5mm	×1
		• Allen Wrench 4mm	×1



**Adjusting handle position** : Loosen "M6x12 Low Head Cap Screws" on the bottom with packaged Allen Wrench 4mm as per below image and slide handles as you wish, then fix the position by tightening the screws.



**Attaching adapters on handle tip** : Various adapters can be attached on the handle tip including "Direct Base III" etc.



**Attaching adapters on the tray** : By removing pre-installed parts GP 1/4-20UNC Adapter, 1/4 Tripod Screw (L13.6), 1/4 Tripod Screw Spacer, M2x4 Cap Screw), various adapters can be attached on the tray including "Direct Base YS RT" etc.



Attaching "Direct Base YS RT", "Direct Base III", "Z Adapter II"



Attaching "Direct Base YS"



Attaching "Direct Base III" on the back of the tray



Attaching "Quick Shoe W50 Plate"



- Maintenance** :
- After using, soak in fresh water to dissolve remaining salt or remove dirt and dry it in shaded and well ventilated area. Never apply flame or direct heat to this product or damage may result
  - DO NOT clean with organic solvent like alcohol, benzene or thinner and oil and fat containing / chemical material like rust inhibitor, lubricant, polish, detergent (especially polyoxymethylene) to avoid damage/deformation/degradation of this product.
  - Periodically apply grease (grease for housing) on metal part of screws to prevent rust.
- Storage** :
- Store out of direct sunlight in well-ventilated, dry area. Avoid storing near chemicals, high ozone, large temperature and humidity fluctuations to avoid deformation, damage, rust, mold or corrosion etc.
  - Keep the product out of reach of children. They may swallow parts of this product. See a doctor immediately if a child swallow parts.
- Handling** :
- Hold this product during transportation of whole system without applying excessive shock, vibration and/or pressure. DO NOT hold compatible products to transport whole system to avoid accidental separation of combined housing/protector causing damage on them.

#### Compact Grip Base for GoPro Specifications [\*1]

Model	Compact Grip Base for GoPro
Size	W200 x H126.5 x D32 mm/W7.9 x H5.0 x D1.3 in.
Weight	Air 334g/11.8 oz, underwaer approx. 165g/5.8 oz
Material/finishing	Corrosion-resistant aluminum alloy/rigid alumite/ POM etc.

\*1 Subject to change without prior notice

INON Inc.

2-18-9, Dai, Kamakura,  
Kanagawa 247-0061 JAPAN  
E-mail [support@inon.co.jp](mailto:support@inon.co.jp)  
Fax. +81(0)467-48-2178  
URL <http://www.inon.jp/>