

INON

INON Main Base III

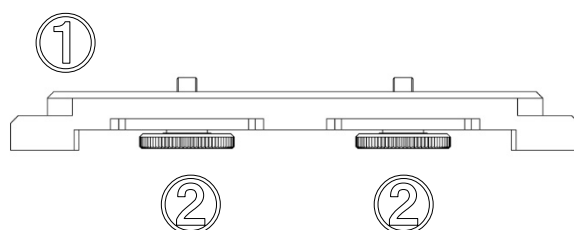
Thank you for purchasing INON product.

The INON *Main Base III* is a base tray to attach on the bottom of an underwater housing to add a handle.

Features

- Compatible with a housing equipped with two or more 1/4-20UNC screw holes.
- Both ends can have optional *Holder III*.
- The optional *Holder III* can be attached at an angle of 0 degree, 45 degree or 90 degree to the *Main Base III*.
- Can be configured with INON underwater tripod system *UW 3-Way Panhead* via its packaged *Panhead Adapter Base*.
- Usable for an underwater housing equipped with 12-24UNC standard screw holes as well by replacing original tripod screws with optional *12-24 Tripod Screw Set for Grip Base M1*.

- Package contents:**
- Main Base III ×1
 - Main Base III ① ×1
 - 1/4 Tripod Screws* ② ×2
- *Pre-installed on the Main Base III
- This user manual



- Compatible housing:**
- INON X1 series housing
 - INON X-2 series housing
 - Olympus *PT-EP01, PT-EP03, PT-EP05L, PT-EP06L, PT-EP08, PT-EP10, PT-EP11, PT-EP12, PT-EP13*
 - Olympus *PT-053, PT-054, PT-055, PT-056*
 - Nikon *WP-N1, WP-N2, WP-N3*
 - Other housings (*1)(*2)

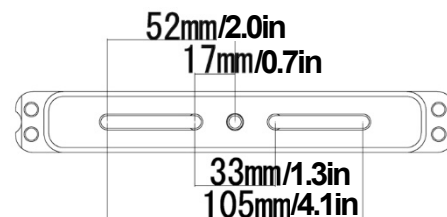
(*1) Two 1/4 tripod screw holes with center-to-center distance specified below, are required.

When using two elongate holes on the *Main Base III*: 33 -105mm/1.3-4.1inch

When using the center hole and either of elongate holes on the *Main Base III*: 17-52mm/0.7-2.0inch

(*2) INON INC. has not confirmed compatibility with specific product(s) from other manufactures.

Before using, make sure to check if the product(s) from other manufactures is compatible and does not interfere other combined product(s).

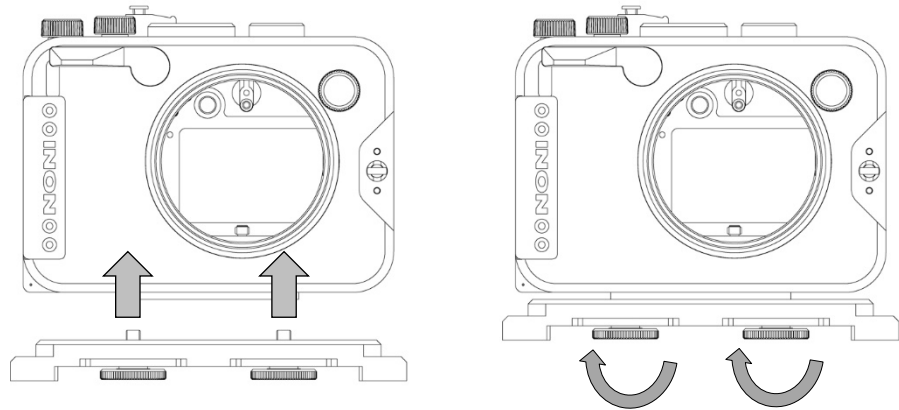


Compatible product : • INON *Holder III*

Holder II and D Holder is NOT compatible with this product.

Main Base III Installation

: Partially attach the *Main Base III* on a housing by screwing both 1/4 tripod screws evenly in tripod screw holes on the bottom of the housing. Check and adjust the position of the Main Base III then completely tighten the 1/4 tripod screws.

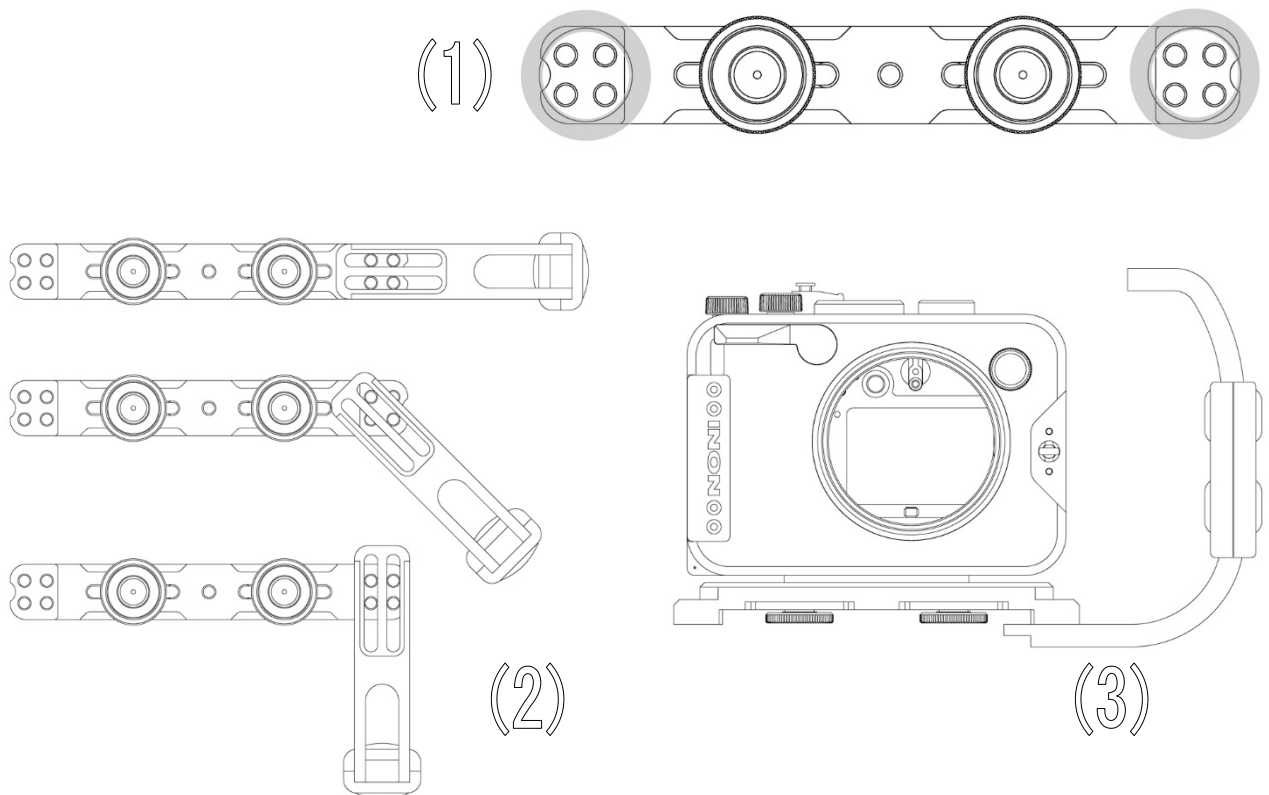


Holder III Installation

: Attach the *Holder III* on the *Main Base III* at M6 screw holes (circled in below image (1)) with two sets of *M6 Low Head Cap Screw/M6 Φ 10 Washer* packaged with the *Holder III*.

The *Holder III* can be attached at an angle of 0, 45 or 90 degree to the *Main Base III* as shown in below image (2).

The *Holder III* can be attached on the either end of the *Main Base III* but it would be recommended to attach on your left when using single strobe configuration as shown in below image (3). Attaching 2nd *Holder III* for dual strobe configuration allows you to hold the camera system by both hands.



- Maintenance** :
- After using, soak in fresh water to dissolve remaining salt or remove dirt and dry it in shaded and well ventilated area. Never apply flame or direct heat to this product or damage may result.
 - DO NOT clean with organic solvent like alcohol, benzene or thinner and oil and fat containing / chemical material like rust inhibitor, lubricant, polish, detergent (especially alkaline detergent) to avoid damage/deformation/degradation of this product (polyoxymethylene part etc.).
 - Remove the *Main Base III* from combined housing when not using more than one week to avoid damage/deformation of compatible housing resulting from continuous pressure.
 - Periodically apply grease (grease for housing) on metal part of screws to prevent rust.
- Storage** :
- Store out of direct sunlight in well-ventilated, dry area. Avoid storing near chemicals, high ozone, large temperature and humidity fluctuations to avoid deformation, damage, rust, mold or corrosion etc.
 - Keep the product out of reach of children. They may swallow parts of this product. See a doctor immediately if a child swallow parts.
- Handling Precautions** :
- Make sure to follow installation procedures described in this manual properly. Insufficient tightening of the 1/4 Tripod Screws may lead to accidental separation/damage/loss of combined products.
 - DO NOT use this product for non-compatible products to avoid accidental separation/damage/loss of combined products. Use only with compatible products listed in this instruction manual.
 - Hold whole of system during transportation without applying excessive shock, vibration and/or pressure and DO NOT hold this product only to transport whole system to avoid accidental separation of combined housing/protector causing damage on them.
- Options** :
- Holder III
Dedicated handle to use for the *Main Base III*. Usable both as left/right handle.



- 12-24Tripod Screw Set for Main Base III
By replacing pre-installed 1/4 Tripod Screws and their spacers with this optional screw set, the *Main Base III* can be attached on a housing equipped with 12-24UNC screw holes on its bottom.



INON Main Base III Specifications [*1]

Model	Main Base III
Size	W180.3 x H18.5 x D25 mm/W7.2 x 0.7 x 1.0 inch
Weight	Air: 134g/4.7oz, UW: approx. 82g/2.9oz
Material/finishing	Corrosion-resistant aluminum alloy/rigid alumite, POM etc.

*1 Subject to change without prior notice

INON Inc.

2-18-9, Dai, Kamakura,
Kanagawa 247-0061
JAPAN
E-mail support@inon.co.jp
Fax. +81(0)467-48-2178
URL http://www.inon.jp/

. January 2019