

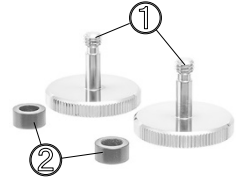
INON

M6 Base Screw Set

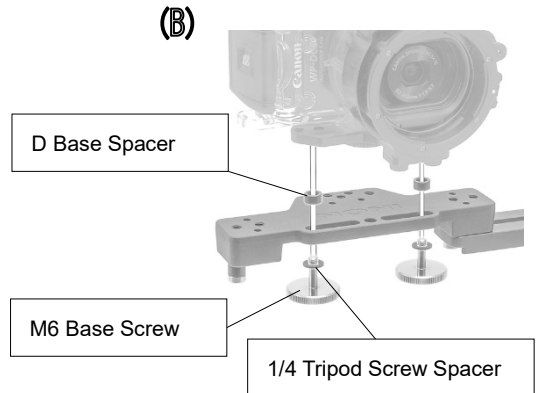
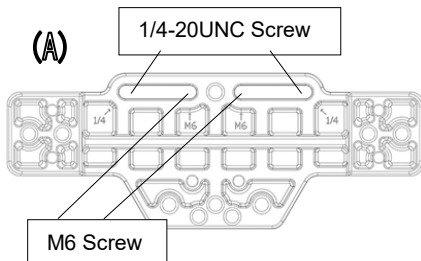
Thank you for purchasing INON product.

INON *M6 Base Screw Set* is an optional M6 tripod screw set to attach INON *Grip Base D5* on INON Mount Base/Lens Adapter Base/Video Base.

- Package contents:**
- M6 Base Screw ① ×2
 - D Base Spacer ② ×2
 - This user manual ×1



- Installation :**
- Remove 2 x *1/4 Tripod Screws (L13.6)* from the outer ends of slotted holes on the bottom of the *D5 Base* (a base tray of the *Grip Base D5*). *M6 Base Screws* are attached on the *D5 Base* at the inner ends of the slotted holes. Back of the *D5 Base* has markings for different screw types to show their installing/removing points **(A)**.
 - Place a *1/4 Tripod Screw Spacer (separated from removed 1/4 Tripod Screws)* on each *M6 Base Screw*, attach *M6 Base Screws* on the *D5 Base* at inner ends of the slotted hole, then put bundled *D Base Spacers* on each screw shaft of *M6 Base Screws* as shown in below **(B)**. Then attach on an INON Mount Base/Lens Adapter Base/Video Base by screwing *M6 Base Screw* threads into respective M6 screw holes on the combined product.



INON Inc.

2-18-9, Dai, Kamakura,
Kanagawa 247-0061 JAPAN
E-mail support@inon.co.jp
Fax +81(0)467-48-2178
URL http://www.inon.jp/

January 2020