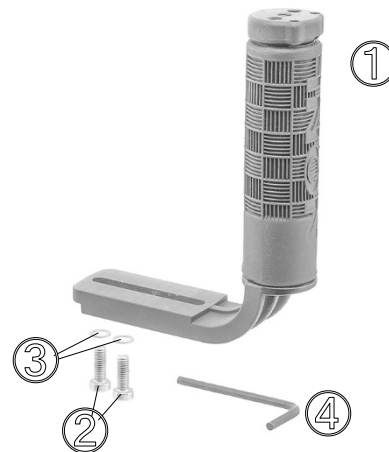


INON

D5 Holder

Thank you for purchasing INON product.

- Package contents:**
- D5 Holder ①×1
 - M6x18 Low Head Cap Screw ②×2
 - M6 φ 10 Washer ③×2
 - Allen Wrench (WAF: 4mm) ④×1
 - This user manual ×1



- Compatible products** :
- *D5 Base, Main Base III*

【Base plate】

The *D5 Holder* is **NOT** compatible with *D Base SPS* (Grip Base D4) and *D Base M1*(Grip Base M1).

- *SD Front Mask for HERO5/6/7* (*1)
- *SD Front Mask STD* (*1)
- *SD Mount Cage for HERO3/3+/4* (*1)
- *SD Mount Base for TG-Tracker* (*1)
- *SD Mount Base for UWH1* (*1)

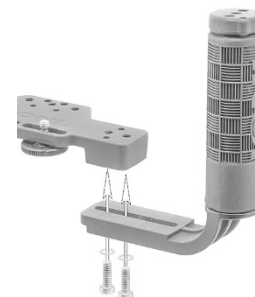
(*1) Attached on bundled *Mount Adapter*

Compatible Products
【Arm system】

- :
- *Direct Base III*
 - *Multi Direct Base IIa, Multi Direct Base II Long*
 - *Multi Direct Base II WB, Z Adapter II*
 - *Direct Base YS RT*
 - *Shoe Base Adapter D4 + Shoe Base 1/4-20UNC/Shoe Base M6*
 - *Shoe Base Adapter D4 + Shoe Base BALL/Shoe Base II*

Installing on a Base Plate

- :
- Attach the *D5 Holder* with supplied two pairs of *M6 Low Head Cap Screw/M6 φ 10 Washer* to the M6 screw holes on the compatible base plate as per shown in the right image.



Arm system installation

- :
- The top of the *D5 Holder* can hold compatible arm system.



Maintenance

- :
- After using, soak in fresh water to dissolve remaining salt or remove dirt and dry it in shaded and well ventilated area. Never apply flame or direct heat to this product or damage may result
 - Do not clean with organic solvent like alcohol, benzene or thinner and oil and fat containing / chemical material like rust inhibitor, lubricant, polish, detergent (especially polyoxymethylene) to avoid damage/deformation/degradation of this product.
 - Periodically apply grease (grease for housing) on metal part of screws to prevent rust.

- Storage** :
- Store out of direct sunlight in well-ventilated, dry area. Avoid storing near chemicals, high ozone, large temperature and humidity fluctuations to avoid deformation, damage, rust, mold or corrosion etc.
 - Keep the product out of reach of children. They may swallow parts of this product. See a doctor immediately if a child swallow parts.

- Handling precautions** :
- Make sure to follow installation procedures described in this manual. Insufficient tightening of *M6 Low Head Cap Screw* may lead to accidental separation of combined products and/or damage.
 - DO NOT use this product for non-compatible products to avoid accidental separation of combined products and/or damage. Use only with compatible products listed in this user manual.
 - Hold this product during transportation of whole system without applying excessive shock, vibration and/or pressure. Do not hold compatible products to transport whole system to avoid accidental separation of combined housing/protector causing damage on them.

INON D5 Holder specifications [*1]

Model	D5 Holder
Size	W208.5(8.2") x H142.5(5.6") x D32mm (1.3")
Weight	Air: 158g (5.6oz) / Underwater: approx 70g (2.5oz)
Material / finishing	Corrosion-resistant aluminum alloy/rigid alumite/ POM etc.

*1 Subject to change without prior notice

INON Inc.

2-18-9, Dai, Kamakura,
 Kanagawa 247-0061 JAPAN
 E-mail support@inon.co.jp
 Fax. +81(0)467-48-2178
 URL <http://www.inon.jp/>

December 2019