

# INON

## INON Single Light Holder LF for Tripod

Thank you for purchasing INON product.

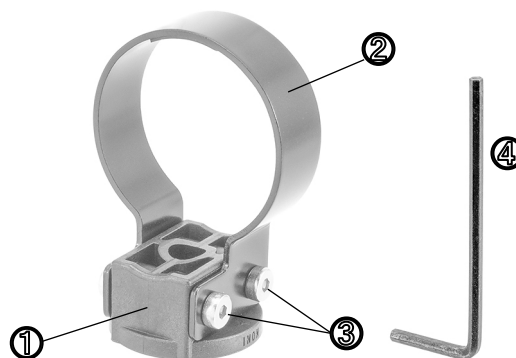
INON Single Light Holder LF for Tripod holds 『single』 INON LED flashlight (『LF1000-S』etc.) on the compatible tripod equipped with 1/4-20UNC screw.

<b>Contents</b>	:	• Single Light Holder for Tripod	①	×1
		• LF Light Holder Plate	②	×1
		• M4x8 Low Head Cap Screw	③	×4
		• Allen Wrench (WAF:2.5mm)	④	×1
		• This user manual		×1

<b>Compatible LED flashlight</b> (As of October 2016)	:	• INON『LF1000-S』, 『LF1400-S』
		• INON『LF1100-W』, 『LF2700-W』
		• INON『LF800-N』

**Compatible Tripod** : A tripod equipped with 『1/4-20UNC』 screw

(As of October 2016)



**Installation method** : Firstly separate “Light Head” and “Battery Box” of your LF series LED flashlight to remove two yellow O-rings and one black from the “Battery Box”. Separate the 『Single Light Holder Body』 and 『LF Light Holder Plate』. Remove all M4x8 Low Head Cap Screws and separate 『LF Light Holder Plate』 and 『Single Light Holder for Tripod』. Widen the mouth of the 『LF Light Holder Plate』 to attach it on the “Battery Box”. Then re-install removed three O-rings on “Battery Box” and attach the “Light Head” on “Battery Box”. When removing/attaching “Light Head”/“Battery Box” O-rings, make sure to refer to your LED flashlight user manual to ensure proper and appropriate procedure. Put INON grease in 『screw holes』 on the 『Single Light Holder for Tripod』 and joint the 『Single Light Holder for Tripod』 and the 『LF Light Holder Plate』 together with supplied screws. Finally, attach the tripod screw at 1/4-20UNC screw hole of this product.



- Maintenance** :
- After dive, clean with fresh water to remove salt etc. and dry the product completely in shaded and well ventilated area. DO NOT expose the product to flame or heat to prevent deformation or damage.
  - DO NOT clean with organic solvent like alcohol, benzene or thinner and oil and fat containing/chemical material like rust inhibitor, lubricant, polish. DO NOT wash with any alkaline or chemical cleaning agents. This product is made from polycarbonate etc. which will dissolve or deform if put in contact with such materials.
  - Remove this product from the LED flashlight when not in use more than one week to prevent possible deformation/damage on compatible product.
  - Periodically grease up five screw holes on the 『Single Light Holder for Tripod』 with supplied grease for LED flashlight to prevent anchoring of screws due to 『salt build-up』 or 『electrical corrosion』.

- Storage** :
- Store out of direct sunlight in well-ventilated and dry area. Avoid storing near chemicals, high ozone, large temperature and humidity fluctuations and magnetic fields (TV sets etc.) to avoid deformation/damage, mold/rust or corrosion etc.
  - Keep the flashlight out of reach of children. They may swallow small parts of this product. See a doctor immediately if a child swallow parts.

- Handling precautions** :
- Make sure to tighten screws properly not too tight or not too loose to prevent accidental separation/damage/loss of this product/LED flashlight, housing/protector etc.
  - When carrying combined system with this product, always securely hold whole system instead holding this product or LED flashlight only and avoid excessive shock, vibration or load to prevent accidental separation/damage/loss of this product/LED flashlight, housing/protector etc.

INON Single Light Holder LF for Tripod Specifications [*1]	
Model	Single Light Holder LF for Tripod
Size	W: 42mm/1.7" x H: 60mm/2.4" x D: 30mm/1.2" [*2]
Weight	29g/1oz (air) / approx. 18g/0.6oz (underwater)
Material/finishing	Polycarbonate, corrosion resistant aluminum alloy/rigid almite etc

\*1 Subject to change without prior notice.

\*2 Thumb screw is not included

INON Inc.  
2-18-9, Dai, Kamakura,  
Kanagawa 247-0061 JAPAN  
E-mail [support@inon.co.jp](mailto:support@inon.co.jp)  
Fax. +81(0)467-48-2178  
URL <http://www.inon.jp/>

October 2016