

INON

INON M27-LD Mount Converter for UFL-M150 ZM80

Thank you for purchasing INON product.

The INON M27-LD Mount Converter for UFL-M150 ZM80 is dedicated optional part for the INON Underwater Micro Fisheye Lens 「UFL-M150 ZM80」 to attach on INON “28LD Mount Base”.

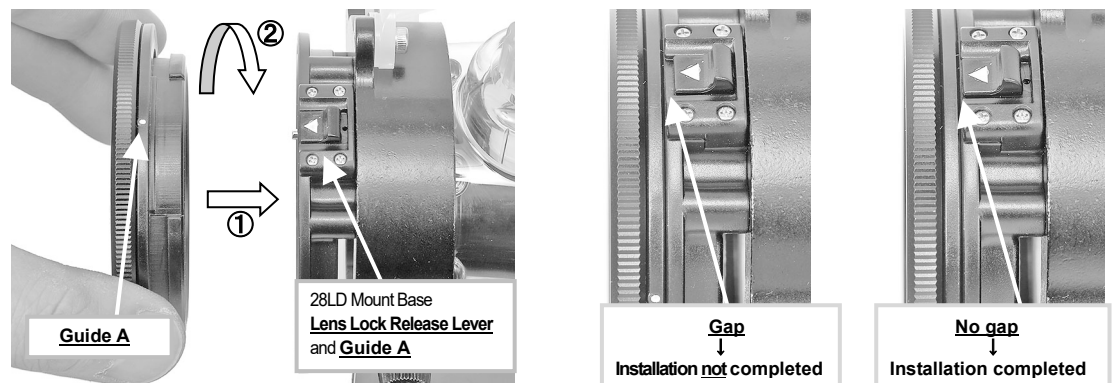
Refer to 「UFL-M150 ZM80」 user manual to check if your camera, housing and Mount Base is compatible with the 「UFL-M150 ZM80」

- Compatible product:**
- Subject side [attachment lens]
 - INON Underwater Micro Fisheye Lens「UFL-M150 ZM80」
 - Camera side [Mount Base]
 - INON 「28LD Mount Base」
 - ★: Not all “28LD Mount Base” is usable. Check compatibility of your camera/housing according to 「UFL-M150 ZM80」 user manual

UFL-M150 ZM80 side



- Installation method :**
- Put this product in a 「28LD Mount Base」 so that 「Guide A」 of this product is coupled to 「Guide A」 on the 「28LD Mount Base」 Lens Lock Release Lever(①).
 - Rotate this product clockwise until the lens lock release lever moves back to the original position where you should feel and hear clicking. (②).



- How to remove:**
- Pulling the 「28LD Mount Base」 Lens Lock Release Lever to unlock this product, rotate this product in the reverse direction to separate from the 28LD Mount Base. Do not rotate this product without being unlocked to prevent damage on this product and/or 「28LD Mount Base」 .

INON Inc.

2-18-9, Dai, Kamakura
Kanagawa 247-0061

E-mail support@inon.co.jp

Fax. +81(0)467-48-2178

URL <http://www.inon.jp/>

July 2011