

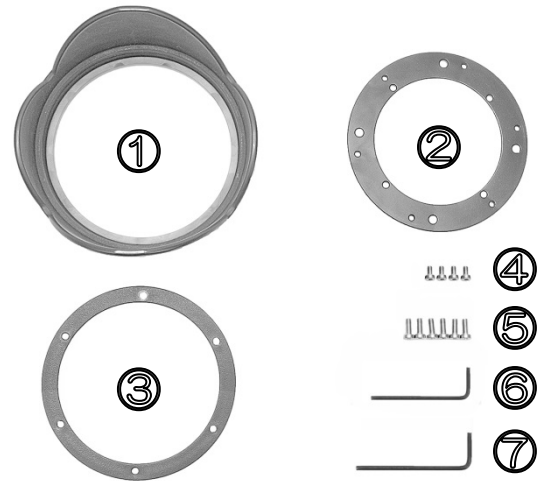
INON

INON Lens Hood II for UWL-100 28AD

Thank you for purchasing INON products.

The Lens Hood II for UWL-100 28AD is exclusively designed for 「UWL-100 28AD」 / 「UWL-100 28M55」 Wide Conversion Lens. The Lens Hood II is to be attached on 「UWL-100 28AD」 / 「UWL-100 28M55」 to suppress ghost/flare which could happen especially when shooting wide imaging in backlit condition.

- Package contents:**
- Lens Hood II ① ×1
 - Hood Ring II 28AD ② ×1
 - Lens Hood II Retaining Ring ③ ×1
 - M3 x 5 Low Head Cap Screw ④ ×4
 - M3 x 8 Low Head Cap Screw ⑤ ×6
 - Allen Wrench (2.0mm WAF) ⑥ ×1
 - Allen Wrench (2.5mm WAF) ⑦ ×1
 - This user manual ×1



- Compatible lens :**
- INON 「UWL-100 28AD」 Wide Conversion Lens
 - INON 「UWL-100 28M55」 Wide Conversion Lens

How to use :

- **Preparation of Lens**

Attach lens cap [object side] on Lens and put it on a desk as shown image right. Then take off 『Plastic Screw/Washer』 (total 4 sets) circled in right image by supplied Allen Wrench(2.5mm WAF). Removed plastic screw/washer sets are necessary to use Lens alone. Then put grease (grease for an underwater housing) in 6 screw holes by a toothpick etc.

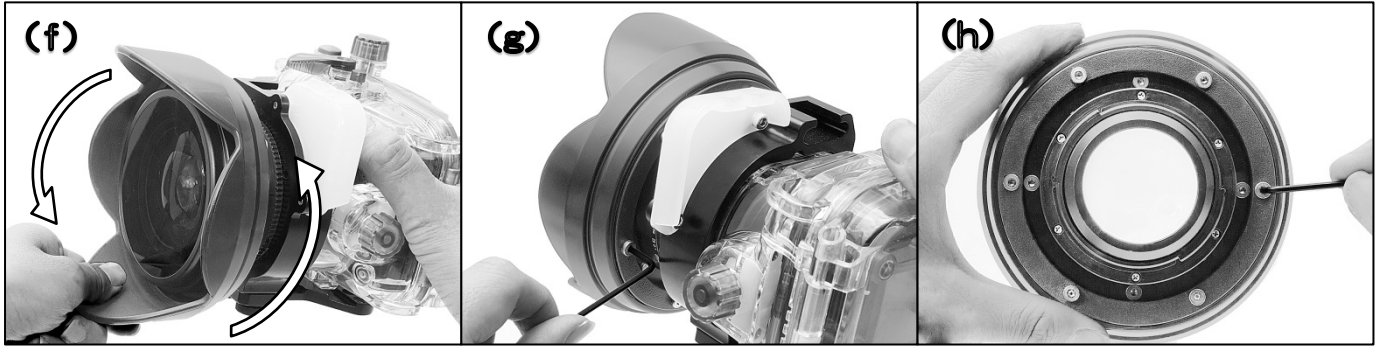


- **How to attach the Lens Hood**

- Put the Hood Ring II 28AD on the lens so that its flat surface facing up and screw holes on inner circumference matches to screw holes of the lens.
- Put 4pcs of M3 x 5 Low Head Cap Screws in each screw hole on the Hood Ring II 28AD and tighten the four cap screws little by little alternating between screws opposite each other diagonally with supplied Allen Wrench(2.0mm WAF).
- Place the Lens Hood II over the lens with shades facing down.
- Put the Lens Hood II Retaining Ring on the lens hood so that its flat surface facing up and screw holes matches to 6 x screw holes of the lens.
- Put 6pcs of M3 x 8 Low Head Cap Screws in screw holes and partially tighten them by supplied Allen Wrench(2.0mm WAF).
- Install the lens on compatible camera system then adjust the big shades position at 6 and 12 o'clock
- Fix the hood position by tightening a couple of cap screws little further.
(⚠DO NOT tighten too much to prevent accidental damage on the lens hood or lens hood retaining ring)
- Remove the lens from the camera and tighten six cap screws completely alternating between screws opposite each other diagonally with supplied Allen Wrench(2.0mm WAF).
(⚠ Make sure to tighten all screws evenly without overtightening)



(continued)



After installing the combined Lens on a compatible underwater housing, the big shades of this product has to be on 6 and 12 o'clock position as in the right image. If you observe any other position of big shades after the installation, re-assemble again according to this instruction manual. Refer to Lens user manual for detail of the installation method of the Lens on compatible camera system.



Maintenance

- Clean and dry after each use following explanation of maintenance method of Lens. Please refer maintenance section of Lens user manual for detail. There is no need to detach the Lens Hood II from UWL-100 28AD after each use.
- When removing the Lens Hood II from UWL-100 28AD, follow opposite procedure of how to attach. Then apply grease in screw holes and put all plastic/washer sets back to screw holes.

Accessories

- UFL-165AD Neoprene Carry Pouch
Carrying pouch made from neoprene same material as wet suits. The carry pouch can be used underwater. By storing the lens in the carry pouch, accidental damage during transportation can be avoided.



INON Inc.

2-18-9, Dai, Kamakura
Kanagawa 247-0061
E-mail support@inon.co.jp
Fax. +81(0)467-48-2178
URL <http://www.inon.jp/>

February 2018